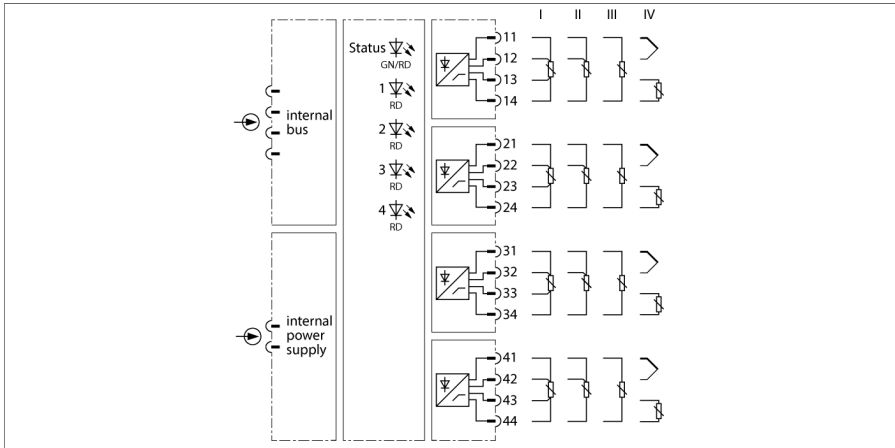


excom I/O System

Input Module, Temperature, 4-channel

TI40-N



The input module TI40-N is used for the connection of 2, 3 and 4-wire temperature probes of the types Pt100, PT200, Pt500, Pt1000, Ni100 and CU100, as well as for the connection of thermocouples of the types B, E, D, J, K, L, N, R, S, T and U. The module can also be used for the measurement of low voltages (-75...+75 mV, -1.2...+1.2 V) and resistance measurements (0...30 Ω, 0...300 Ω, 0...3 kΩ).

Line compensation of 2-wire temperature resistors is done by means of parametrized resistance values. These values have to be determined first through measurements.

When using thermocouples, external cold junction compensation can be carried out separately for each channel by connecting resistors such as the Pt100 to the two unused terminals. Internal compensation instead is parametrized for all channels via an integrated Pt100 resistor.

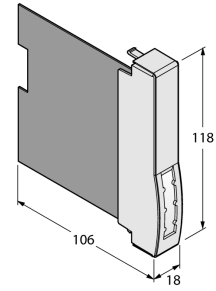
The resolution is 16 bit, i.e. the analog value is represented as a number between 0 and 65535. The temperature is indicated in Kelvin. For conversion to °C, please observe an offset of 273.2.

Parameters such as line monitoring, substitute values etc. can be adjusted for each channel separately and are initialized solely by the master.

- Input module for the connection of temperature probes
- Complete galvanic isolation

Dimensions

Type	TI40-N
ID	6884222
Supply voltage	Via module rack, central power supply module
Power consumption	≤ 1 W
Galvanic isolation	Complete galvanic isolation
Number of channels	4
Input circuits	Pt100 Pt200 Pt500 Pt1000 Ni100 Cu100 Thermocouple
Reference temperature	25 °C
Resolution	16 Bit
Linearity deviation	≤ 0.05 % measuring range
Temperature drift	≤ 0.002 % of full scale/K
Rise time/fall time	≤ 1.3 s (10...90 %)
Max. measurement tolerance under EMC influence	≤ 0.1 % with shielded signal cable ≤ 1 % with unshielded signal cable
Displays/Operating elements	
Operational readiness	1 × green/red
State/ Fault	4 × red
Housing material	Plastic
Connection mode	module, plugged on rack
Protection class	IP20
Ambient temperature	-20...+60 °C
Relative humidity	≤ 93 % at 40 °C acc. to IEC 60068-2-78
Vibration test	Acc. to IEC 60068-2-6
Shock test	Acc. to IEC 60068-2-27
EMC	Acc. to EN 61326-1 Acc. to Namur NE21
MTTF	62 years acc. to SN 29500 (Ed. 99) 40 °C
Dimensions	18 x 118 x 106 mm



Accessories

Type code	Ident-No.		Dimension drawing
TI-CJC-2 (10PCS)	6884209	Cold junction compensation element (Pt100) for thermocouples measuring with the TI40...	