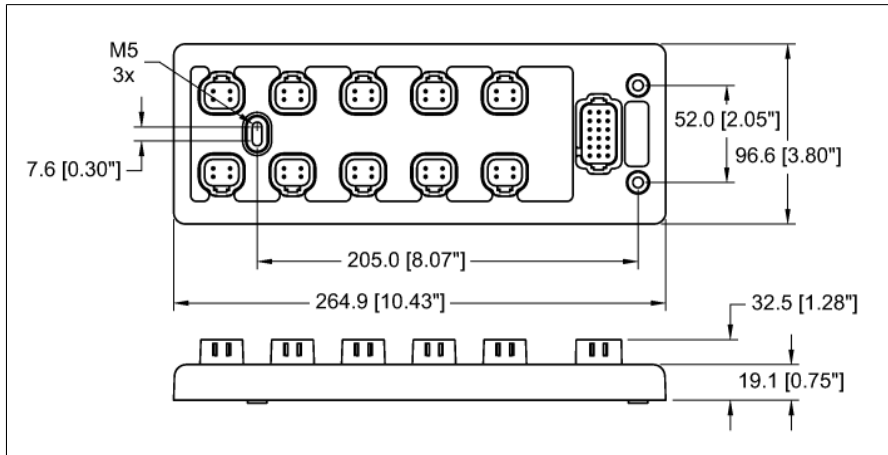


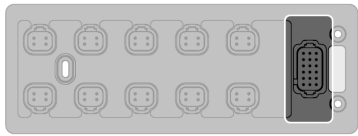
Passive Module

TBCJ-D1-10SPLIT



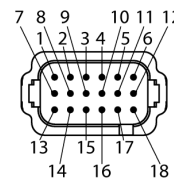
- This block has 16 I/Os and provides both the sensor supply as well as a ground in each port. There are mirrored ports (7 + 9 and 8 + 10), all pins are internally connected so that two devices can be operated with the same cable. This module can output 13 combined amps.
- Without LEDs
- Number of I/Os: 16, 2 mirrored ports (ports 7 + 9 and ports 8 + 10)
- Total output current: 13 A
- Switching current: 13 A

ID	100028559
Supply voltage	8...32 VDC
Admissible range	8...32 VDC
Output current per channel	13 A per pin
Vibration test	Acc. to IEC 60068-2-6:2007, test Fc and IEC 60068-2-64:2008, test Fh and IEC 60068-2-6:2007, paragraph 8.1
Shock test	Acc. to EN 60068-2-27
Dimensions (W x L x H)	96.6 x 264.8 x 32.5 mm
Ambient temperature	-40...+85 °C
Storage temperature	-45...+85 °C
Protection class	IP67
Housing color	Black
Mounting	Screw connection

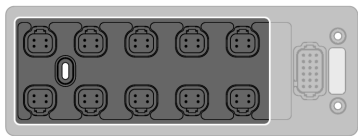


Operating Voltage and I/Os: 18 pole DT16-18SA Socket

Pinout



- 1 = P1, Pin 4:I/O-1A
- 2 = P1, Pin 2:I/O-1B
- 3 = P2, Pin 4:I/O-2A
- 4 = P2, Pin 2:I/O-2B
- 5 = P3, Pin 4:I/O-3A
- 6 = P3, Pin 2:I/O-3B
- 7 = P4, Pin 4:I/O-4A
- 8 = P4, Pin 2:I/O-4B
- 9 = P5, Pin 4:I/O-5A
- 10 = P5, Pin 2:I/O-5B
- 11 = P6, Pin 4:I/O-6A
- 12 = P6, Pin 2:I/O-6B
- 13 = P7/9, Pin 4:I/O-7A
- 14 = P7/9, Pin 2:I/O-7B
- 15 = P8/10, Pin 4:I/O-8A
- 16 = P8/10, Pin 2:I/O-8B
- 17 = 8-32VDC
- 18 = GROUND



I/O Ports: 10 x DT06-4S

Power Ports 1 to 10

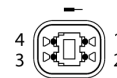
Pin 1 = 8-32 VDC

Pin 3 = Ground

Input/Output Ports 1 to 10

- Port 1, Pin 4: I/O 1A
- Port 1, Pin 2: I/O 1B
- Port 2, Pin 4: I/O 2A
- Port 2, Pin 2: I/O 2B
- Port 3, Pin 4: I/O 3A
- Port 3, Pin 2: I/O 3B
- Port 4, Pin 4: I/O 4A
- Port 4, Pin 2: I/O 4B
- Port 5, Pin 4: I/O 5A
- Port 5, Pin 2: I/O 5B
- Port 6, Pin 4: I/O 6A
- Port 6, Pin 2: I/O 6B
- Port 7 & 9, Pin 4: I/O 7A
- Port 7 & 9, Pin 2: I/O 7B
- Port 8 & 10, Pin 4: I/O 8A
- Port 8 & 10, Pin 2L I/O 8B

Pinout



- 1 = 8-32 VDC
- 2 = I/O 1B
- 3 = GROUND
- 4 = I/O 1A