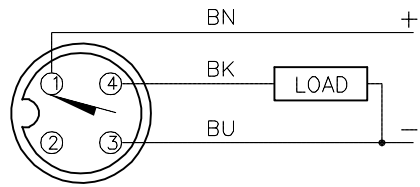


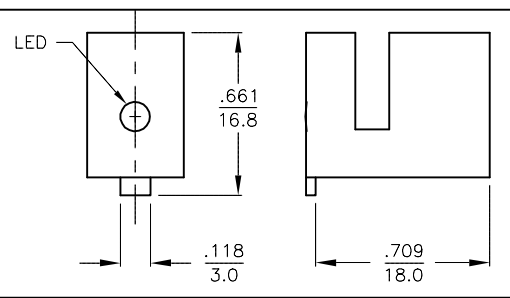
WIRING DIAGRAM



OUTPUT: AP6X2

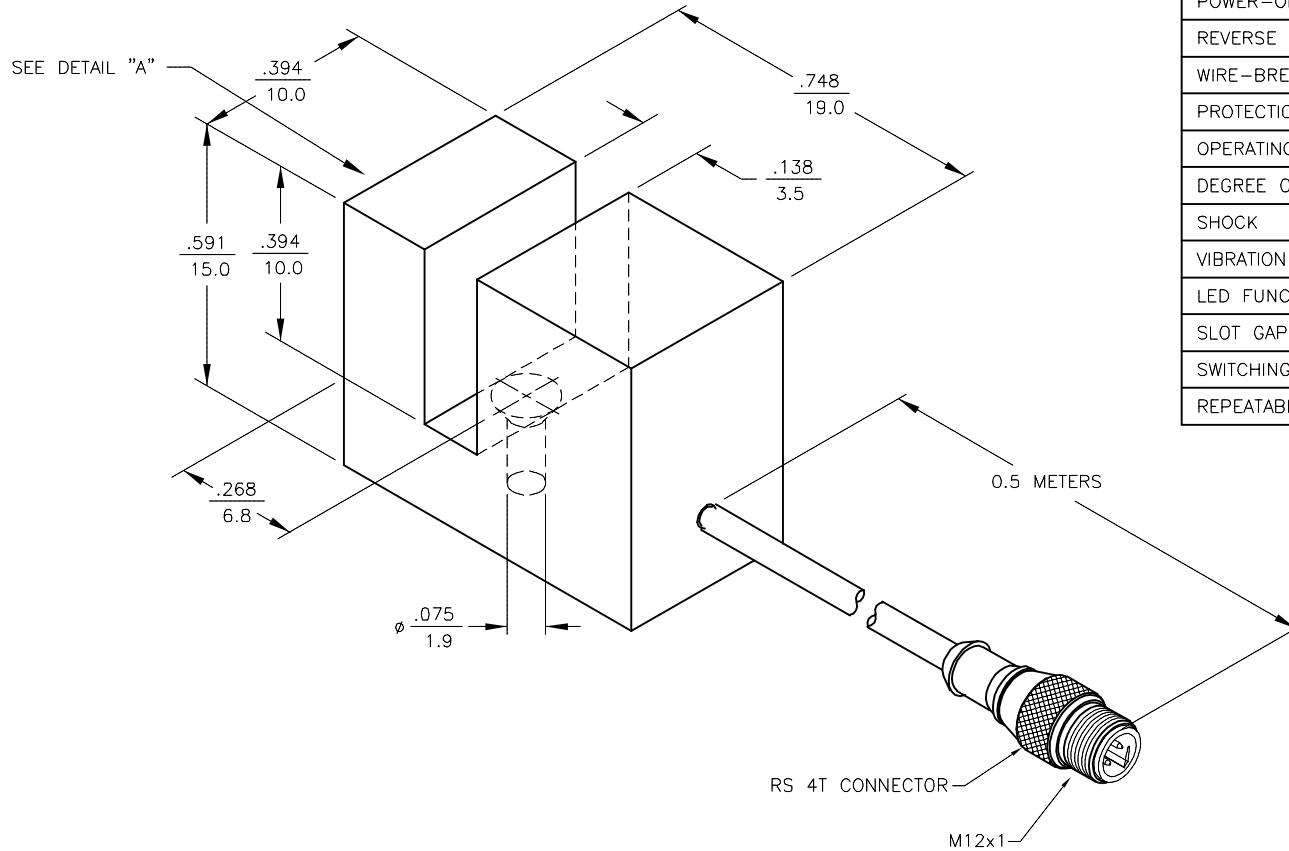
SHORT-CIRCUIT AND OVERLOAD PROTECTED

DETAIL "A"



SPECIFICATIONS

OPERATING VOLTAGE	10-30 VDC
RIPPLE	≤ 10%
DIFFERENTIAL TRAVEL (HYSTERESIS)	3-15% (5% TYPICAL)
VOLTAGE DROP ACROSS CONDUCTING SENSOR	≤ 1.8 V at 200 mA
OUTPUT FUNCTION	NORMALLY OPEN 3-WIRE DC SELF-CONTAINED
SHORT-CIRCUIT PROTECTED	YES
CONTINUOUS LOAD CURRENT	≤ 200 mA
NO-LOAD CURRENT	< 15.0 mA
TIME DELAY BEFORE AVAILABILITY	≤ 2 ms
POWER-ON EFFECT PROTECTION	INCORPORATED
REVERSE POLARITY PROTECTION	INCORPORATED
WIRE-BREAK PROTECTION	INCORPORATED
PROTECTION AGAINST TRANSIENTS	2 kV, 1 ms, 1 kΩ
OPERATING TEMPERATURE	-25°C to +70°C (-13°F to +158°F)
DEGREE OF PROTECTION	IP67
SHOCK	30 g, 11 ms
VIBRATION	55 Hz, 1 mm AMPLITUDE (IN ALL 3 PLANES)
LED FUNCTION	YELLOW
SLOT GAP	3.5 mm = .138" (NOMINAL)
SWITCHING FREQUENCY	2000 Hz
REPEATABILITY	≤ 2% of RATED OPERATING DISTANCE



SOURCE DRAWING - FOR REFERENCE ONLY

NOTES:

1. "/S258" DESIGNATES 3mm OD LIF9Y-11Y, TPU CABLE, 2M LONG STANDARD OR AS SPECIFIED.

RELATED DOCUMENTS 1. 2. 3. 4.	3RD ANGLE PROJECTION 	THIS DRAWING IS CONFIDENTIAL AND THE PROPERTY OF TURCK INC. USE OF THIS DOCUMENT WITHOUT WRITTEN PERMISSION IS PROHIBITED.		3000 CAMPUS DRIVE MINNEAPOLIS, MN 55441 1-800-544-7769 (763) 553-7300 (763) 553-0708 fax www.turck.us	
	MATERIAL PLASTIC HOUSING	DRFT TV APVD A.F.	DATE 02/03/17 SCALE 1=1.3	DESCRIPTION SI 3.5-K10-AP6X-0.5M-RS 4T/S258	
FINISH	ALL DIMENSIONS DISPLAYED ON THIS DRAWING ARE FOR REFERENCE ONLY	UNIT OF MEASUREMENT INCH [MILLIMETER]		IDENTIFICATION NO. 1650999	REV A
A DRAWING RELEASE REV DESCRIPTION	TV 02/03/17 BY DATE ECO NO.	CONTACT TURCK FOR MORE INFORMATION		DO NOT SCALE THIS DRAWING	FILE: 1650999 SHEET 1 OF 1