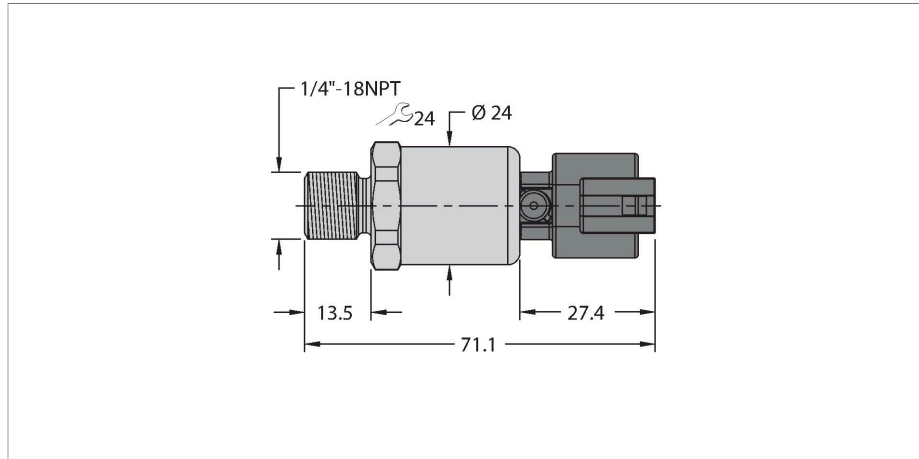


# PT200PSIG-1103-U6-DT043P

## Pressure Transmitter – Ratiometric Output (3-Wire)



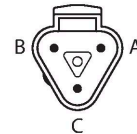
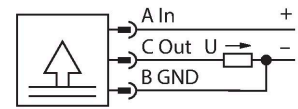
### Features

- For mobile hydraulic applications
- Ceramic measuring cell
- Compact and robust design
- Excellent EMC properties
- Excellent accuracy and long-term stability
- Complies with ISO 16750-2
- Pressure range 0...200 psi rel.
- 5 VDC  $\pm$  10 %
- Ratiometric output 10...90 %
- Process connection 1/4"-18 NPT male thread
- Plug-in device, Deutsch DT04-3P

### Technical data

ID	100021756
Type	PT200PSIG-1103-U6-DT043P
Admissible overpressure	$\leq$ 40 bar
Burst pressure	$\geq$ 40 bar
Medium temperature	-40...+125 °C
Ambient temperature	-40...+100 °C
Operating voltage $U_b$	4.5...5.5 VDC
Current consumption	$\leq$ 7 mA
Output function	ratim. 10...90%
Short-circuit protection	yes
Reverse polarity protection	yes
Voltage output	0.5...4.5 V
Protection class	IP69K
MTTF	1564 years acc. to SN 29500 (Ed. 99) 40 °C
Insulation class	III
<b>Mechanical data</b>	
Design	Without display
Housing material	Stainless-steel/Plastic, 1.4404 (AISI 316L)/polyarylamide 50 % GF UL 94 V-0
Max. tightening torque of housing nut	20 Nm
Seal	FPM spez.
Electrical connection	Connector, Deutsch DT04-3P
Process connection	1/4" NPT-18 male thread

### Wiring diagram



### Functional principle

The pressure sensors in the PT...-1100 product series are designed specifically for demanding mobile hydraulic applications. They operate with a ceramic measuring cell in different pressure ranges of up to 0...60 bar in 2- or 3-wire technology. Depending on the sensor variant, the processed signal is available as an analog output signal (4...20 mA, 0...10 V, 0...5 V, ratiometric). A wide range of process connections and electrical connections offer a high degree of flexibility in a wide range of applications.

## Technical data

Tests/approvals	
Approvals	cULus
UL registration number	E302799
Technical data	
Type	PT200PSIG-1103-U6-DT043P
ID	100021756
Admissible overpressure	≤ 40 bar
Burst pressure	≥ 40 bar
Operating voltage U <sub>s</sub>	4.5...5.5 VDC
Current consumption	≤ 7 mA
Short-circuit/reverse polarity protection	yes / yes
Protection class	IP69K
Insulation class	III
Output function	ratiom. 10...90%
Voltage output	0.5...4.5 V
Medium temperature	-40...+125 °C
Ambient temperature	-40...+100 °C
Storage temperature	-50...+100 °C
Mechanical data	
Housing material	Stainless-steel/Plastic, 1.4404 (AISI 316L)/polyarylamide 50 % GF UL 94 V-0
Sealing material	FPM spez.
Process connection	1/4" NPT-18 male thread
Electrical connection	Connector, Deutsch DT04-3P
Max. tightening torque of housing nut	20 Nm
Tests/approvals	
Approvals	cULus
UL registration number	E302799
MTTF	1564 years acc. to SN 29500 (Ed. 99) 40 °C