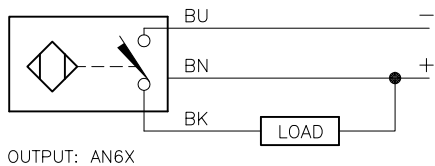
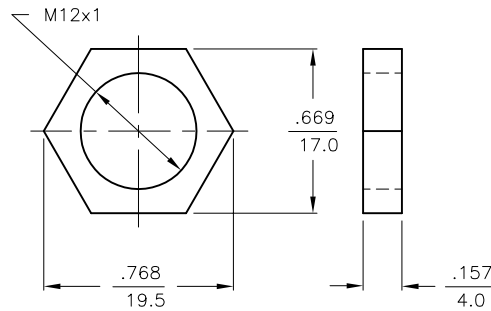


WIRING DIAGRAM



SHORT-CIRCUIT AND OVERLOAD PROTECTED

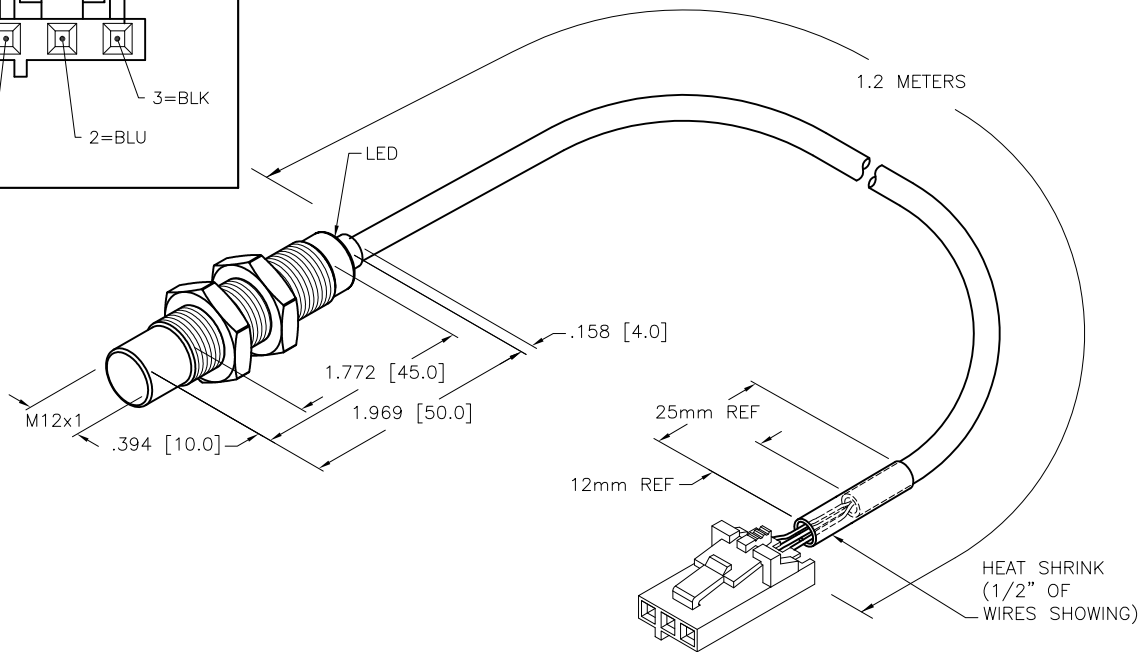
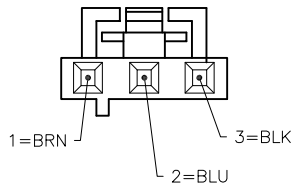
LOCKNUT LN-SS12



SPECIFICATIONS

RATED OPERATING DISTANCE	8mm [.315]
MOUNTING MODE	NON-FLUSH, PARTIALLY FLUSH MOUNTABLE
TEMPERATURE DRIFT	≤±10% ≤±15%, ≤ -25°C v ≥ +70°C
HYSTERESIS	3-15%
MIN. REPEAT ACCURACY	≤ 2%
OPERATING TEMPERATURE	-30°C to +85°C (-22°F to +185°F)
RATED OPERATIONAL VOLTAGE	10-30 VDC
RESIDUAL RIPPLE	≤ 10%
RATED OPERATIONAL CURRENT	≤ 200 mA
NO-LOAD CURRENT	≤ 15 mA
RESIDUAL CURRENT	≤ 0.1 mA
RATED INSULATION VOLTAGE	≤ 0.5 kV
SHORT-CIRCUIT PROTECTION	YES
MAX. VOLTAGE DROP	≤ 1.8 V
WIRE BREAKAGE PROTECTION	INCORPORATED
REVERSE POLARITY PROTECTION	INCORPORATED
OUTPUT FUNCTION	3-WIRE, NORMALLY OPEN, NPN
MAX. SWITCHING FREQUENCY	≤ 2 kHz
HOUSING MATERIAL	METAL, A2 1.4301 (AISI 304)
ACTIVE FACE	PLASTIC, PBT
END CAP	PLASTIC, EPTR
VIBRATION RESISTANCE	55 Hz (IN ALL 3 PLANES)
SHOCK RESISTANCE	30 g, 11 ms
DEGREE OF PROTECTION	IP 68
SWITCHING STATUS INDICATION	LED, YELLOW

CONNECTOR END VIEW



NOTES:

1. "/CS10879" DESIGNATES SENSOR CUSTOM WIRED TO MOLEX CONNECTOR.

MOLEX CONNECTOR: 50579403  
 MOLEX PINS: 1602-0082 (24 AWG OR SMALLER)  
 1602-0087 (22AWG OR LARGER)

PIN 1 = BROWN  
 PIN 2 = BLUE  
 PIN 3 = BLACK

1" SHRINK TUBE COVERING WIRE EXIT FROM CABLE JACKET.

SOURCE DRAWING - FOR REFERENCE ONLY

RELATED DOCUMENTS 1. 2. 3. 4.	3RD ANGLE PROJECTION	THIS DRAWING IS CONFIDENTIAL AND THE PROPERTY OF TURCK INC. USE OF THIS DOCUMENT WITHOUT WRITTEN PERMISSION IS PROHIBITED.	3000 CAMPUS DRIVE MINNEAPOLIS, MN 55441 1-800-544-7769 (763) 553-7300 (763) 553-0708 fax www.turck.us	
	MATERIAL		DRFT RDS	DATE 11/29/10
FINISH	ALL DIMENSIONS DISPLAYED ON THIS DRAWING ARE FOR REFERENCE ONLY	APVD	SCALE 1=1.3	IDENTIFICATION NO. 1644389
CONTACT TURCK FOR MORE INFORMATION		UNIT OF MEASUREMENT <b>INCH [ MILLIMETER ]</b>		REV C
DO NOT SCALE THIS DRAWING		FILE: 1644389		SHEET 1 OF 1

C	UPDATE ID NUMBER PER HARMONIZATION PROJECT	CBM	11/06/17	
REV	DESCRIPTION	BY	DATE	ECO NO.