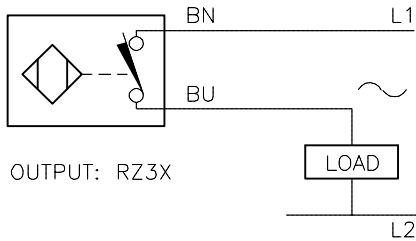
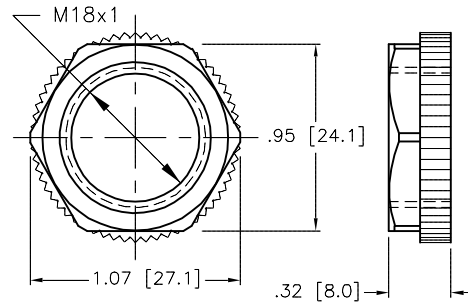


WIRING DAGRAM



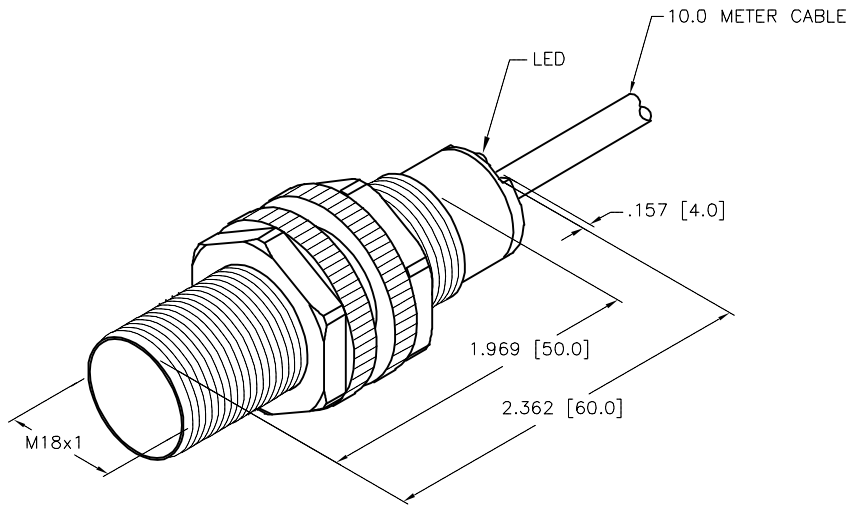
WARNING: NO SHORT-CIRCUIT PROTECTION.  
ALWAYS WIRE A LOAD IN SERIES WITH THE SENSOR.

LOCKNUT LN-P18



SPECIFICATIONS

RATED OPERATING DISTANCE	8mm = .315" (NOMINAL)
MOUNTING MODE	NON-FLUSH
REPEATABILITY	≤ 2%
TEMPERATURE DRIFT	≤ ±10%
HYSTERESIS	3-15%
AMBIENT TEMPERATURE	-25°C to +70°C (-13°F to +158°F)
OPERATING VOLTAGE (VAC/VDC)	20-250 VAC/10-300 VDC
RATED OPERATIONAL CURRENT (AC/DC)	≤ 400 mA/ ≤ 300 mA
MAINS FREQUENCY	50-60 Hz
RESIDUAL CURRENT	≤ 1.7 mA
RATED INSULATION VOLTAGE	≤ 1.5 kV
SURGE CURRENT	≤ 8.0 A (≤ 10ms MAX. 5 Hz)
MAX. VOLTAGE DROP	≤ 6.0 V
OUTPUT FUNCTION	2-WIRE, NORMALLY CLOSED
SMALLEST OPERATING CURRENT	≥ 3.0 mA
SWITCHING FREQUENCY	≤ 0.02 kHz
HOUSING MATERIAL	PLASTIC, PA12-GF20
ACTIVE FACE MATERIAL	PLASTIC, PA12-GF20
END CAP MATERIAL	PLASTIC, EPTR
CABLE	ø5.2, PVC
VIBRATION RESISTANCE	55 Hz (IN ALL 3 PLANES)
SHOCK RESISTANCE	30 g, 11 ms
PROTECTION DEGREE	IP67
SWITCHING STATUS INDICATION	LED; RED



SOURCE DRAWING - FOR REFERENCE ONLY

NOTE:

1. THIS SWITCH MAY BE USED AS A SINKING OR SOURCING DEVICE.  
(SEE WIRING DIAGRAM)

RELATED DOCUMENTS 1. 2. 3. 4.	3RD ANGLE PROJECTION 	THIS DRAWING IS CONFIDENTIAL AND THE PROPERTY OF TURCK INC. USE OF THIS DOCUMENT WITHOUT WRITTEN PERMISSION IS PROHIBITED.		3000 CAMPUS DRIVE MINNEAPOLIS, MN 55441 1-800-544-7769 (763) 553-7300 (763) 553-0708 fax www.turck.us	
	MATERIAL  SEE SPECIFICATIONS	DRFT TV APVD A.F.	DATE 06/20/17 SCALE 1=1.0	DESCRIPTION NI 8-S18-RZ3X 10M	
FINISH  SEE SPECIFICATIONS	ALL DIMENSIONS DISPLAYED ON THIS DRAWING ARE FOR REFERENCE ONLY	UNIT OF MEASUREMENT <b>INCH [ MILLIMETER ]</b>		IDENTIFICATION NO. 4350798	REV B
B UPDATED LED COLOR PER ECO	TV 07/13/17	61295	DO NOT SCALE THIS DRAWING		
REV DESCRIPTION	BY DATE	ECO NO.	FILE: 4350798	SHEET 1 OF 1	