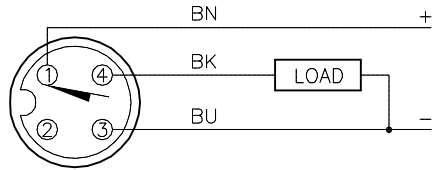
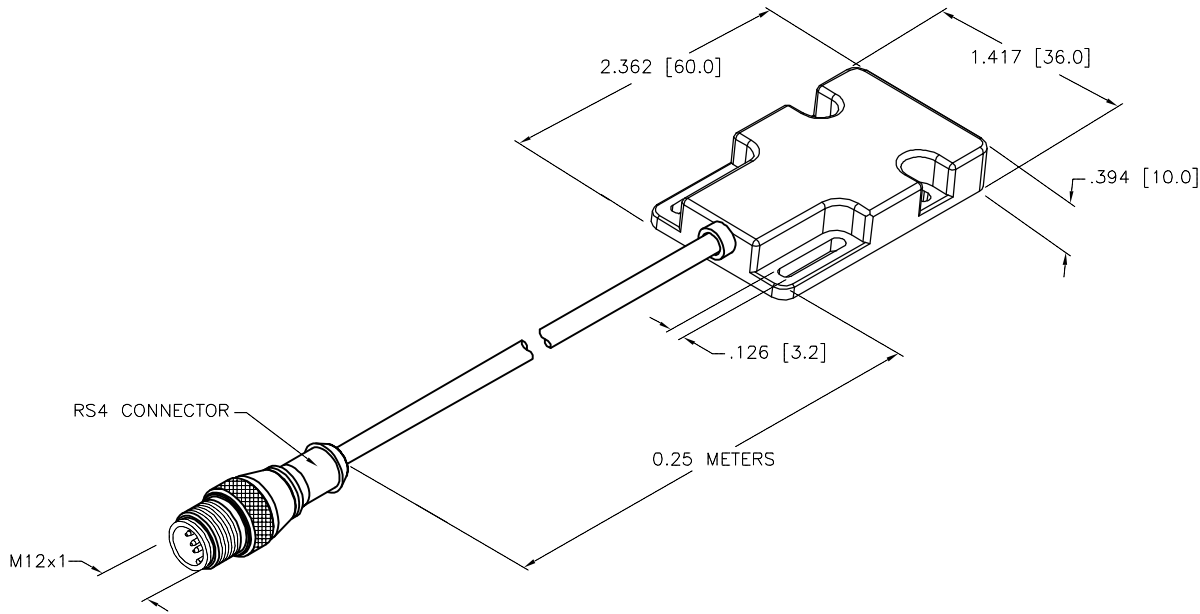


WIRING DIAGRAM



OUTPUT: AP5X2

SHORT-CIRCUIT AND OVERLOAD PROTECTED



SPECIFICATIONS

REAL SENSING RANGE	8mm = .315" (±10%)
SECURED OPERATING DISTANCE	≤ (0.81 X Sn) mm
MOUNTING MODE	NON-FLUSH
TEMPERATURE DRIFT	≤ ±10% (up to +70°C)
HYSTERESIS	3-15%
ACCURACY/DEVIATION	STEEL: ≤ 1% SST: ≤ 0.7% BRASS: ≤ 0.4% ALUM.: ≤ 0.3% COPPER: ≤ 0.2%
OPERATING TEMPERATURE	-25°C to +80°C (-13°F to +176°F)
OPERATING VOLTAGE	10-36 VDC
CURRENT CONSUMPTION	15 mA @ 24V
DC RATED OPERATIONAL CURRENT	≤ 200 mA
MAX. SWITCHING FREQUENCY	≤ 0.30 kHz
RATED INSULATION VOLTAGE	≤ 0.5 kV
OUTPUT FUNCTION	3-WIRE, NORMALLY OPEN, PNP
MAX. VOLTAGE DROP	≤ 2.5 V
SHORT CIRCUIT PROTECTION	YES
REVERSE POLARITY PROTECTION	INCORPORATED
HOUSING MATERIAL	PLASTIC, PBT
CABLE	∅3, PUR/GRAY (LifY11Y 3x0.14)
VIBRATION RESISTANCE	55 Hz, (1mm) IN ALL 3 PLANES
SHOCK RESISTANCE	30 g, (11 ms)
DEGREE OF PROTECTION	IP67
SUPPLY VOLTAGE INDICATION	LED: GREEN
SWITCHING STATUS INDICATION	LED: YELLOW
TESTS/APPROVALS	EMC: EN 60947-5-2/EN55011 CLASS B MTTF : 2526 YEARS

NOTES:

1. "/S3567" DESIGNATES SPECIAL VOLTAGE RANGE OF 10-36 VDC
2. CABLE LENGTH LISTED ON DRAWING DOES NOT INCLUDE MOLDED CONNECTOR DIMENSION.
3. RECOMMENDED MOUNTING CONSIDERATIONS
  - M3 SCREW DIN912 8-8 CLASS
  - 0.4 NM WITHOUT WASHER
  - 0.8 NM WITH WASHER

SOURCE DRAWING - FOR REFERENCE ONLY

RELATED DOCUMENTS 1. 2. 3. 4.	3RD ANGLE PROJECTION	THIS DRAWING IS CONFIDENTIAL AND THE PROPERTY OF TURCK INC. USE OF THIS DOCUMENT WITHOUT WRITTEN PERMISSION IS PROHIBITED.	3000 CAMPUS DRIVE MINNEAPOLIS, MN 55441 1-800-544-7769 (763) 553-7300 (763) 553-0708 fax www.turck.us	
				DESCRIPTION NI8-QF10-AP5X2-0.25-RS4/S3567
MATERIAL SEE SPECIFICATIONS	ALL DIMENSIONS DISPLAYED ON THIS DRAWING ARE FOR REFERENCE ONLY	DRFT NF	DATE 06/11/19	
FINISH	CONTACT TURCK FOR MORE INFORMATION	APVD	SCALE 1=1.5	REV A
		UNIT OF MEASUREMENT <b>INCH [ MILLIMETER ]</b>		
		DO NOT SCALE THIS DRAWING		FILE: 100005293
				SHEET 1 OF 1

A	DRAWING RELEASE	RDS	07/23/20	
REV	DESCRIPTION	BY	DATE	ECO NO.