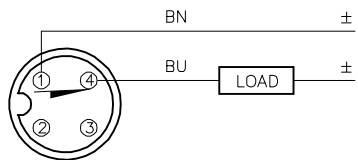


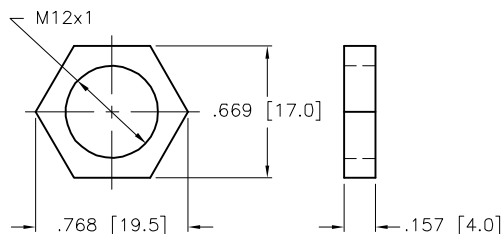
WIRING DIAGRAM



OUTPUT: RD4X

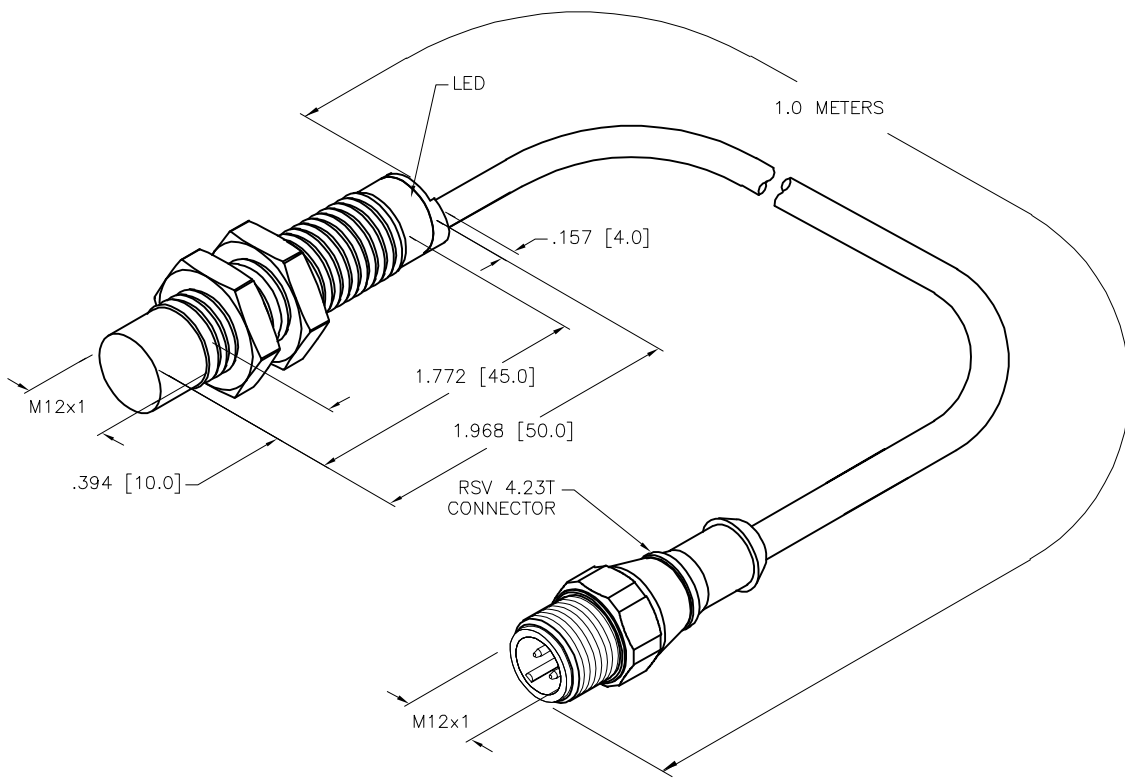
SHORT-CIRCUIT AND OVERLOAD PROTECTED

LOCKNUT LN-SS12



SPECIFICATIONS

OPERATING VOLTAGE	10-65 VDC
RIPPLE	≤10%
HYSTERESIS (DIFFERENTIAL TRAVEL)	3-15% (5% TYPICAL)
VOLTAGE DROP ACROSS CONDUCTING SENSOR	≤5.0 V at 100 mA
OUTPUT FUNCTION	NORMALLY CLOSED 2-WIRE DC SELF-CONTAINED
TTL COMPATIBLE	NO
SHORT-CIRCUIT PROTECTED	YES
TRIGGER CURRENT FOR OVERLOAD PROTECTION	≥120 mA
MAXIMUM LOAD CURRENT	≤100 mA
OFF-STATE (LEAKAGE) CURRENT	<0.8 μA
MINIMUM LOAD CURRENT	≥3.0 mA
TIME DELAY BEFORE AVAILABILITY	≤10 ms
POWER-ON EFFECT	Per IEC 947-5-2
REVERSE POLARITY PROTECTION	INCORPORATED
WIRE-BREAK PROTECTION	INCORPORATED
TRANSIENT PROTECTION	Per EN 60947-5-2
OPERATING TEMPERATURE	-25°C to +70°C (-13°F to +158°F)
ENCLOSURE	MEETS NEMA 1, 3, 4, 6, 13 AND IEC IP67
SHOCK	30 g, 11 ms
VIBRATION	55 Hz, 1 mm AMPLITUDE (IN ALL 3 PLANES)
LED FUNCTION	YELLOW: OUTPUT ENERGIZED
RATED OPERATING DISTANCE(S _n)	8mm = .315" (NOMINAL)
SWITCHING FREQUENCY	500 Hz
REPEATABILITY	≤2% of RATED OPERATING DISTANCE
SHIELDED	NO



NOTES:

- MATERIALS:
 STAINLESS STEEL BARREL
 STAINLESS STEEL LOCKNUTS
 PA 12-GF30 PLASTIC SENSING FACE
 TPE-O ELASTOMER END CAP
- "/S1624" INDICATES REAR LED LENS FOR WASHDOWN APPLICATION.

SOURCE DRAWING - FOR REFERENCE ONLY

RELATED DOCUMENTS 1. 2. 3. 4.	3RD ANGLE PROJECTION 	THIS DRAWING IS CONFIDENTIAL AND THE PROPERTY OF TURCK INC. USE OF THIS DOCUMENT WITHOUT WRITTEN PERMISSION IS PROHIBITED.		3000 CAMPUS DRIVE MINNEAPOLIS, MN 55441 1-800-544-7769 (763) 553-7300 (763) 553-0708 fax www.turck.us	
	MATERIAL STAINLESS STEEL	ALL DIMENSIONS DISPLAYED ON THIS DRAWING ARE FOR REFERENCE ONLY	DRFT RDS APVD	DATE 04/06/04 SCALE 1=1.0	DESCRIPTION NI8-EM12-RD4X-1-RSV4.23T/S1624
FINISH	CONTACT TURCK FOR MORE INFORMATION	UNIT OF MEASUREMENT INCH [MILLIMETER]		IDENTIFICATION NO. 4411297	REV C
C UPDATE WIRING DIAGRAM RDS 10/27/22 78065	REV DESCRIPTION BY DATE ECO NO.	DO NOT SCALE THIS DRAWING		FILE: 4411297	SHEET 1 OF 1