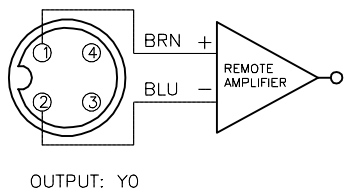
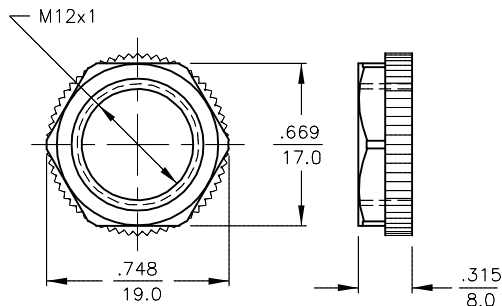


WIRING DIAGRAM

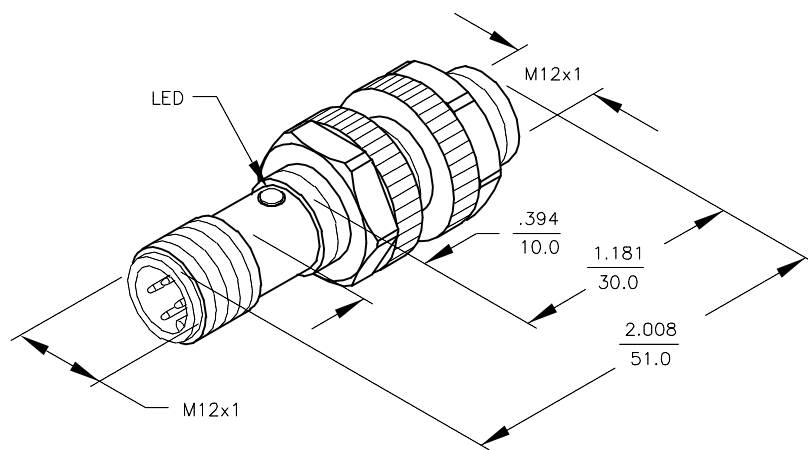


LOCKNUT LN-P12


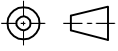


SPECIFICATIONS

OPERATING VOLTAGE	5-15 VDC
NOMINAL VOLTAGE	8.2 VDC
DIFFERENTIAL TRAVEL (HYSTERESIS)	1-10% (5% TYPICAL)
OUTPUT FUNCTION	RESISTANCE CHANGE, REQUIRES REMOTE AMPLIFIER
RESISTANCE CHANGE FROM NONACTIVATED TO ACTIVATED CONDITION	1.0 kΩ to >8.0 kΩ
RESULTING CURRENT CHANGE	≥ 2.2 mA to ≤ 1.0 mA
RECOMMENDED SWITCHING POINT FOR REMOTE AMPLIFIER	1.55 mA
TIME DELAY BEFORE AVAILABILITY	≤ 1 ms
POWER-ON EFFECT PROTECTION	REALIZED IN AMPLIFIER
REVERSE POLARITY PROTECTION	INCORPORATED
WIRE-BREAK PROTECTION	REALIZED IN AMPLIFIER
PROTECTION AGAINST TRANSIENTS	REALIZED IN AMPLIFIER
OPERATING TEMPERATURE	-25°C to +70°C (-13°F to +158°F)
ENCLOSURE	MEETS NEMA 1, 3, 4, 6, 13 AND IEC IP67
SHOCK	30 g, 11 ms
VIBRATION	55 Hz, 1 mm AMPLITUDE (IN ALL 3 PLANES)
LED FUNCTION	RED: OUTPUT ENERGIZED
SENSING RANGE	5 mm = .197" (NOMINAL)
SWITCHING FREQUENCY	2000 Hz
REPEATABILITY	≤ 2% of NOMINAL SENSING RANGE
SHIELDED	NO



SOURCE DRAWING - FOR REFERENCE ONLY

RELATED DOCUMENTS		3RD ANGLE PROJECTION		THIS DRAWING IS CONFIDENTIAL AND THE PROPERTY OF TURCK INC. USE OF THIS DOCUMENT WITHOUT WRITTEN PERMISSION IS PROHIBITED.		 3000 CAMPUS DRIVE MINNEAPOLIS, MN 55441 1-800-544-7769 (763) 553-7300 (763) 553-0708 fax www.turck.us	
1.				DRFT TV		DATE 11/14/17	
2.				APVD A.F.		SCALE 1=1.3	
3.		ALL DIMENSIONS DISPLAYED ON THIS DRAWING ARE FOR REFERENCE ONLY		UNIT OF MEASUREMENT			
4.				INCH [MILLIMETER]			
MATERIAL		PA 12-GF30		DESCRIPTION		NI5-S12-YOX-H1141	
FINISH		PLASTIC BARREL		IDENTIFICATION NO.		40303	
A		DRAWING RELEASE		CONTACT TURCK FOR MORE INFORMATION		REV A	
TV		11/14/17		DO NOT SCALE THIS DRAWING		FILE: 40303	
BY		DATE		ECO NO.		SHEET 1 OF 1	

REV	DESCRIPTION	BY	DATE	ECO NO.
A	DRAWING RELEASE	TV	11/14/17	