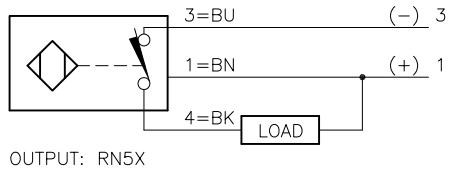
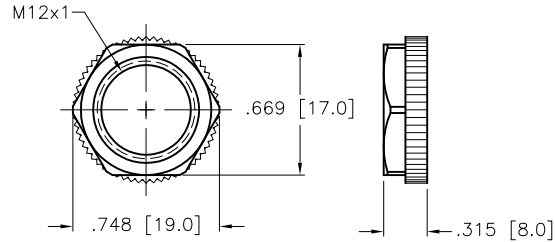


WIRING DIAGRAM



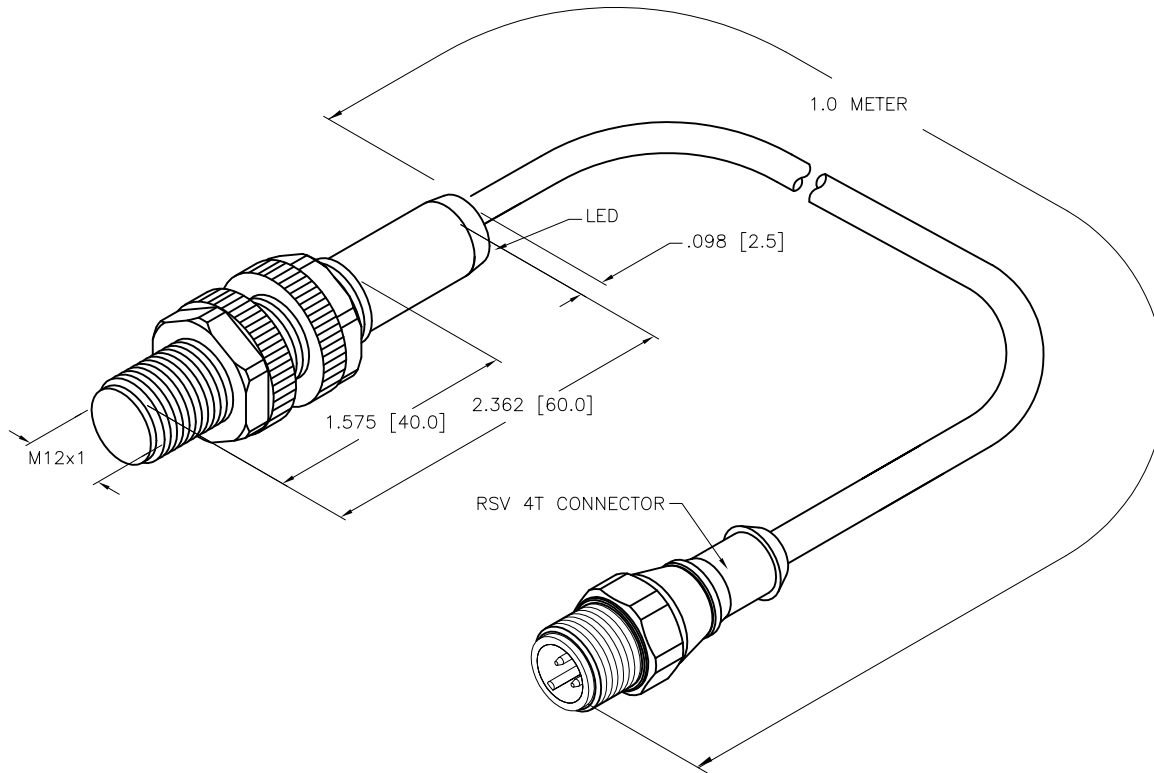
WARNING: NO SHORT-CIRCUIT PROTECTION
ALWAYS WIRE A LOAD IN SERIES W/THE SENSOR

LOCKNUT LN-P12

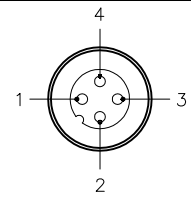


SPECIFICATIONS

OPERATING VOLTAGE	4.75-5.25 VDC
LINE FREQUENCY	40-60 Hz
HYSTERESIS	3-15% (5% TYPICAL)
VOLTAGE DROP ACROSS CONDUCTING SENSOR	≤ 0.1 V
OUTPUT FUNCTION	NORMALLY CLOSE, 3-WIRE DC
SHORT-CIRCUIT PROTECTED	NO
RATED OPERATIONAL CURRENT	≤ 50 mA
RESIDUAL CURRENT	≤ 1.7 μA
MINIMUM LOAD CURRENT	≥ 5.0 μA
INRUSH CURRENT	≤ 1.0 A (≤ 10 ms/5 Hz)
TIME DELAY BEFORE AVAILABILITY	≤ 8 ms
POWER-ON EFFECT	INCORPORATED
PROTECTION AGAINST TRANSIENTS	5 kV, 10 ms, 10 kΩ
OPERATING TEMPERATURE	-25°C to +70°C (-13°F to +158°F)
ENCLOSURE	MEETS NEMA 1, 3, 4, 6, 13 AND IEC IP67
SHOCK	30 g, 11 ms
VIBRATION	55 Hz, 1 mm AMPLITUDE (IN ALL 3 PLANES)
LED FUNCTION	YELLOW: OUTPUT ENERGIZED
RATED OPERATING DISTANCE	5 mm = .196" (NOMINAL)
SWITCHING FREQUENCY	1500 Hz
REPEATABILITY	≤ 2% of RATED OPERATING DISTANCE
SHIELDED	NO



MALE END VIEW



SOURCE DRAWING - FOR REFERENCE ONLY

NOTES: 1. MATERIALS:
BARREL - PA12-GF30 PLASTIC
LOCKNUTS - PA12-GF30 PLASTIC
END CAP - TPE-O-ELASTOMER
CONNECTOR - STAINLESS STEEL
CONTACTS - GOLD PLATED BRASS

RELATED DOCUMENTS		3RD ANGLE PROJECTION		THIS DRAWING IS CONFIDENTIAL AND THE PROPERTY OF TURCK INC. USE OF THIS DOCUMENT WITHOUT WRITTEN PERMISSION IS PROHIBITED.		3000 CAMPUS DRIVE MINNEAPOLIS, MN 55441 1-800-544-7769 (763) 553-7300 (763) 553-0708 fax www.turck.us	
1.				DRFT	RWC	DATE	03/23/10
2.				APVD		SCALE	1=1.0
3.		ALL DIMENSIONS DISPLAYED ON THIS DRAWING ARE FOR REFERENCE ONLY		UNIT OF MEASUREMENT		DESCRIPTION	
4.		CONTACT TURCK FOR MORE INFORMATION		INCH [MILLIMETER]		NI5-S12-RN5X/5-1M-RSV4T	
MATERIAL		SEE NOTES		IDENTIFICATION NO.		REV	
FINISH		SEE NOTES		1510694		E	
E	UPDATE ID NUMBER PER HARMONIZATION PROJECT	CBM	11/06/17	DO NOT SCALE THIS DRAWING		FILE: 1510694 SHEET 1 OF 1	
REV	DESCRIPTION	BY	DATE	ECO NO.			