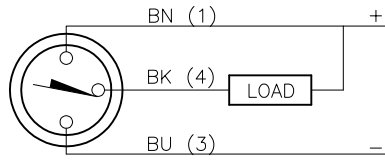


WIRING DIAGRAM

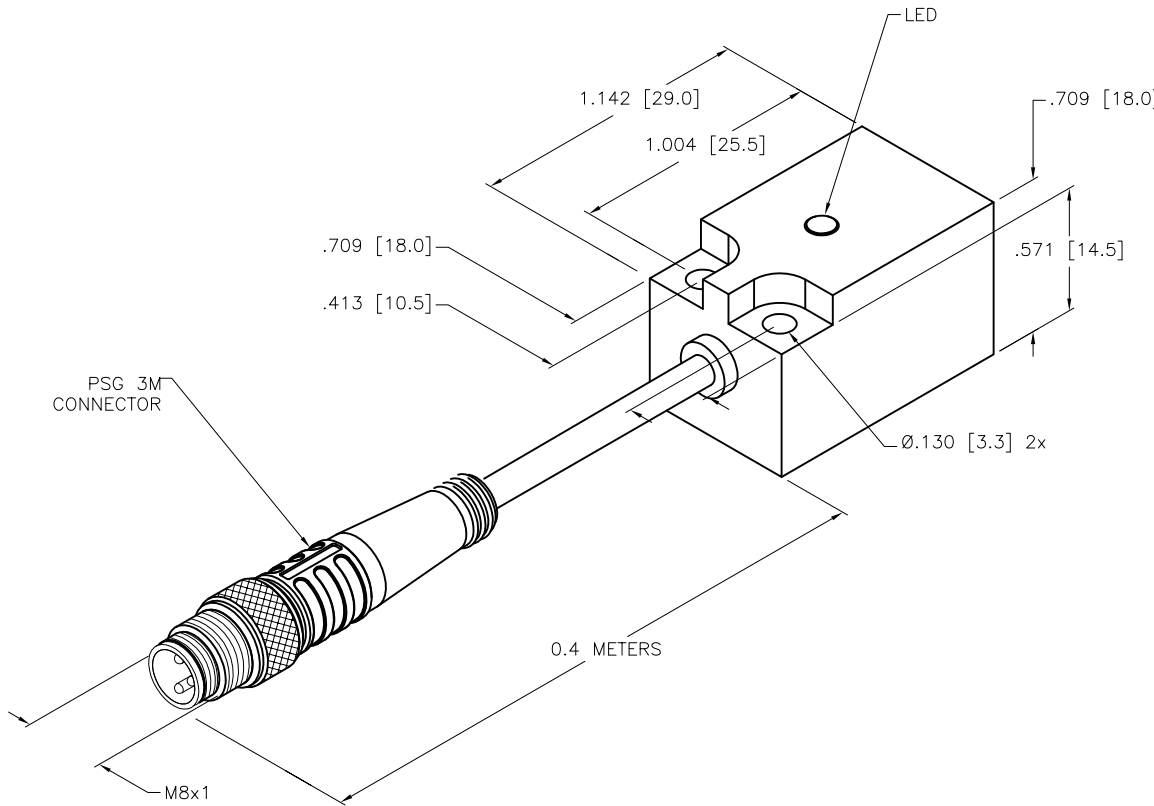


OUTPUT: AN6X

SHORT-CIRCUIT AND OVERLOAD PROTECTED

SPECIFICATIONS

RATED OPERATING DISTANCE	5 mm = .197" (NOMINAL)
MOUNTING MODE	NON-FLUSH
HYSTERESIS	3-15%
REPEATABILITY	≤ 2% of RATED OPERATING DISTANCE
TEMPERATURE DRIFT	≤ ±10%
OPERATING TEMPERATURE	-25°C to +70°C (-13°F to +158°F)
RATED OPERATING VOLTAGE	10-30 VDC
RESIDUAL RIPPLE	≤ 10%
RATED OPERATIONAL CURRENT	≤ 200 mA
NO-LOAD CURRENT	≤ 15 mA
RESIDUAL CURRENT	≤ 0.1 mA
MAX. SWITCHING FREQUENCY	≤ 0.5 kHz
RATED INSULATION VOLTAGE	≤ 0.5 kV
OUTPUT FUNCTION	3-WIRE DC, NORMALLY OPEN, NPN
SHORT-CIRCUIT PROTECTION	INCORPORATED
MAX. VOLTAGE DROP	≤ 1.8 V
REVERSE POLARITY PROTECTION	INCORPORATED
WIRE-BREAK PROTECTION	INCORPORATED
HOUSING MATERIAL	PLASTIC, PBT-GF30-V0
ACTIVE FACE	PLASTIC, PBT-GF30-V0
CABLE	∅4.0, PVC
VIBRATION RESISTANCE	55 Hz, 1 mm AMPLITUDE (IN ALL 3 PLANES)
SHOCK RESISTANCE	30 x g (11 ms)
DEGREE OF PROTECTION	IP67
SWITCHING STATUS INDICATION	LED, YELLOW



SOURCE DRAWING - FOR REFERENCE ONLY

RELATED DOCUMENTS		3RD ANGLE PROJECTION		THIS DOCUMENT IS PROPERTY OF TURCK INC. USE OF THIS DOCUMENT WITHOUT WRITTEN PERMISSION IS PROHIBITED.		TURCK INC High Technology Sensors and Automation Controls 3000 CAMPUS DRIVE MINNEAPOLIS, MN 55441 1-800-544-7769 (763) 553-7300 (763) 553-0708 fax turck.com	
1. 2. 3. 4.				DRFT	RDS	DATE	10/10/08
MATERIAL		SEE SPECIFICATIONS		APVD		SCALE	1=.8
FINISH		ALL DIMENSIONS DISPLAYED ON THIS DRAWING ARE FOR REFERENCE ONLY		UNIT OF MEASUREMENT		DESCRIPTION	
		CONTACT TURCK FOR MORE INFORMATION		INCH [MILLIMETER]		NI5-Q18-AN6X-0.4M-PSG3M IDENTIFICATION NO. 4614692 REV D	
DO NOT SCALE THIS DRAWING		FILE: 4614692		SHEET 1 OF 1			

D	UPDATE ID NUMBER PER HARMONIZATION PROJECT	CBM	11/06/17	
REV	DESCRIPTION	BY	DATE	ECO NO.