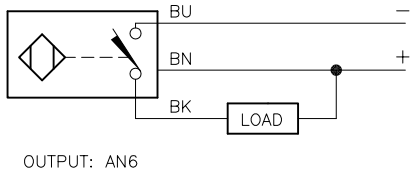
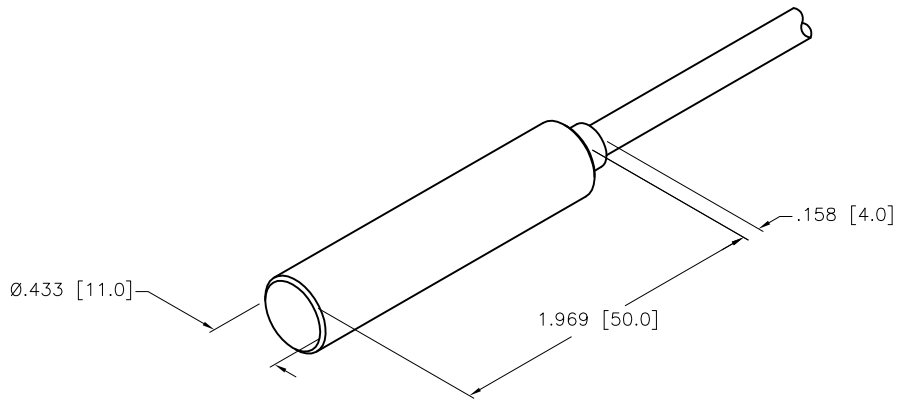
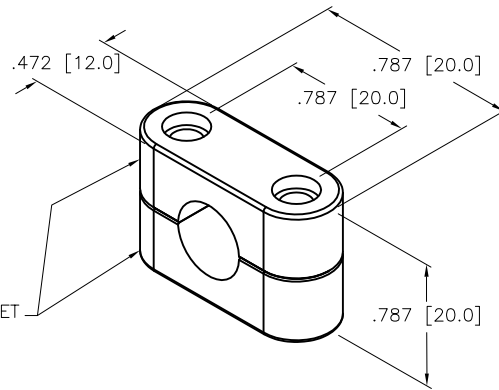


WIRING DIAGRAM



SHORT-CIRCUIT AND OVERLOAD PROTECTED

(2x) BS-11 BRACKET



SPECIFICATIONS

RATED OPERATING DISTANCE	5mm = .197"
MOUNTING MODE	NON-FLUSH
MIN. REPEAT ACCURACY	≤ 2%
TEMPERATURE DRIFT	≤ ±10%
HYSTERESIS (SWITCHING DISTANCE)	3-15%
OPERATING TEMPERATURE	-25°C to +70°C (-13°F to +158°F)
RATED OPERATIONAL VOLTAGE	10-30 VDC
MAX. RIPPLE	≤ 10%
RATED OPERATIONAL CURRENT	≤ 200 mA
NO-LOAD CURRENT	≤ 15 mA
MAX. OFF-STATE CURRENT	≤ 0.1 mA
RATED INSULATION VOLTAGE	≤ 0.5 kV
SHORT-CIRCUIT PROTECTED	YES
MAX. VOLTAGE DROP	≤ 1.8 V
REVERSE POLARITY PROTECTION	INCORPORATED
WIRE-BREAK PROTECTION	INCORPORATED
OUTPUT FUNCTION	NORMALLY OPEN, 3-WIRE, NPN
MAX. SWITCHING FREQUENCY	≤ 1.5 kHz
HOUSING MATERIAL	PLASTIC, PA12-GF20
ACTIVE FACE	PLASTIC, PA12-GF20
CABLE	ø5.2 LiYY, PVC, 2 METERS
SHOCK	30 g, 11 ms
VIBRATION	55 Hz, 1 mm AMPLITUDE (IN ALL 3 PLANES)
DEGREE OF PROTECTION	IP67
SWITCHING STATUS INDICATION	LED: YELLOW

SOURCE DRAWING - FOR REFERENCE ONLY

NOTES:

1. "/S1680" DESIGNATES (2) BS11 BRACKETS INCLUDED IN THE BAG. SPECIAL LABELING.

RELATED DOCUMENTS 1. 2. 3. 4.	3RD ANGLE PROJECTION 	THIS DRAWING IS CONFIDENTIAL AND THE PROPERTY OF TURCK INC. USE OF THIS DOCUMENT WITHOUT WRITTEN PERMISSION IS PROHIBITED.		3000 CAMPUS DRIVE MINNEAPOLIS, MN 55441 1-800-544-7769 (763) 553-7300 (763) 553-0708 fax www.turck.us	
	MATERIAL	DRFT RDS	DATE 04/26/06	DESCRIPTION NI5-K11-AN6/S1680	
FINISH	ALL DIMENSIONS DISPLAYED ON THIS DRAWING ARE FOR REFERENCE ONLY	APVD TB	SCALE 1=1.0	IDENTIFICATION NO. 4660892	
	CONTACT TURCK FOR MORE INFORMATION	UNIT OF MEASUREMENT <b>INCH [ MILLIMETER ]</b>		REV B	
B UPDATE ID NUMBER PER HARMONIZATION PROJECT	CBM 11/06/17	DO NOT SCALE THIS DRAWING		FILE: 4660892	
REV DESCRIPTION	BY DATE ECO NO.			SHEET 1 OF 1	