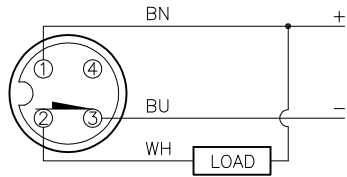


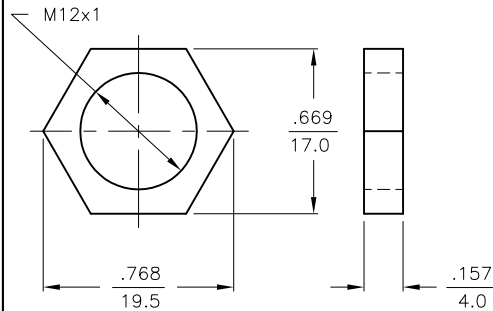
WIRING DIAGRAM



OUTPUT: RN6X

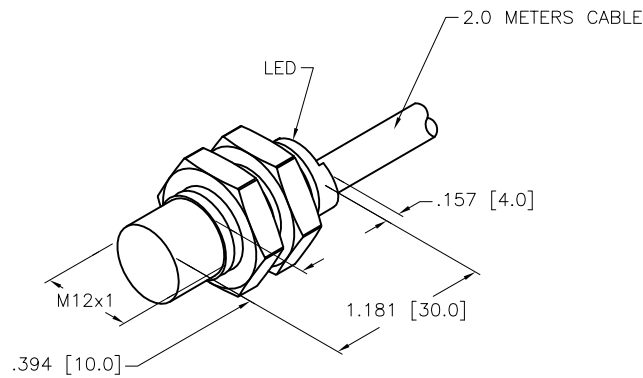
SHORT-CIRCUIT AND OVERLOAD PROTECTED

LOCKNUT LN-M12



SPECIFICATIONS

| | |
|-----------------------------|----------------------------------|
| RATED OPERATING DISTANCE | 5.0mm [.197"] |
| MOUNTING CONDITION | NON-FLUSH |
| REPEATABILITY | ≤ 2% |
| TEMPERATURE DRIFT | ≤ ±10% |
| HYSTERESIS | 3-15% |
| OPERATING TEMPERATURE | -25°C to +70°C (-13°F to +158°F) |
| OPERATING VOLTAGE | 10-30 VDC |
| RESIDUAL RIPPLE | ≤ 10% |
| RATED OPERATIONAL CURRENT | ≤ 200 mA |
| NO-LOAD CURRENT | ≤ 15 mA |
| RESIDUAL CURRENT | ≤ 0.1 mA |
| RATED INSULATION VOLTAGE | ≤ 0.5 kV |
| SHORT-CIRCUIT PROTECTION | YES |
| VOLTAGE DROP | ≤ 1.8 V |
| WIRE BREAKAGE PROTECTION | INCORPORATED |
| REVERSE POLARITY PROTECTION | INCORPORATED |
| OUTPUT FUNCTION | 3-WIRE, NORMALLY CLOSED, NPN |
| SWITCHING FREQUENCY | ≤ 1.5 kHz |
| HOUSING MATERIAL | BRASS, CHROME-PLATED |
| MATERIAL ACTIVE FACE | PLASTIC, PA12-GF20 |
| CABLE | ø5.1, PVC |
| VIBRATION RESISTANCE | 55 Hz |
| SHOCK RESISTANCE | 30 g, 11 ms |
| PROTECTION | IP 67 |
| SWITCHING STATE | LED: YELLOW |



SOURCE DRAWING - FOR REFERENCE ONLY

| | | | | | | |
|---|---------------------------|--|---|--|-------------------------------|----------|
| RELATED DOCUMENTS 1. 2. 3. 4. | 3RD ANGLE PROJECTION | THIS DRAWING IS CONFIDENTIAL AND THE PROPERTY OF TURCK INC. USE OF THIS DOCUMENT WITHOUT WRITTEN PERMISSION IS PROHIBITED. | | 3000 CAMPUS DRIVE MINNEAPOLIS, MN 55441 1-800-544-7769 (763) 553-7300 (763) 553-0708 fax www.turck.us | | |
| | MATERIAL | DRFT KMY APVD J.M. | DATE 01/12/12 SCALE 1=1.0 | DESCRIPTION NI5-G12K-RN6X | | |
| | FINISH | ALL DIMENSIONS DISPLAYED ON THIS DRAWING ARE FOR REFERENCE ONLY CONTACT TURCK FOR MORE INFORMATION | UNIT OF MEASUREMENT INCH [MILLIMETER] | | IDENTIFICATION NO. 2690044 | REV B |
| | DO NOT SCALE THIS DRAWING | | FILE: 2690044 | | SHEET 1 OF 1 | |

| | | | | |
|-----|--|-----|----------|---------|
| B | UPDATE ID NUMBER PER HARMONIZATION PROJECT | CBM | 01/30/18 | |
| REV | DESCRIPTION | BY | DATE | ECO NO. |