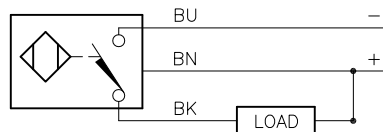


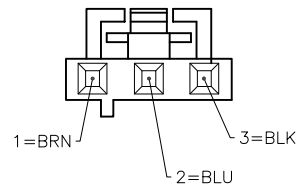
WIRING DIAGRAM



OUTPUT: AN6X

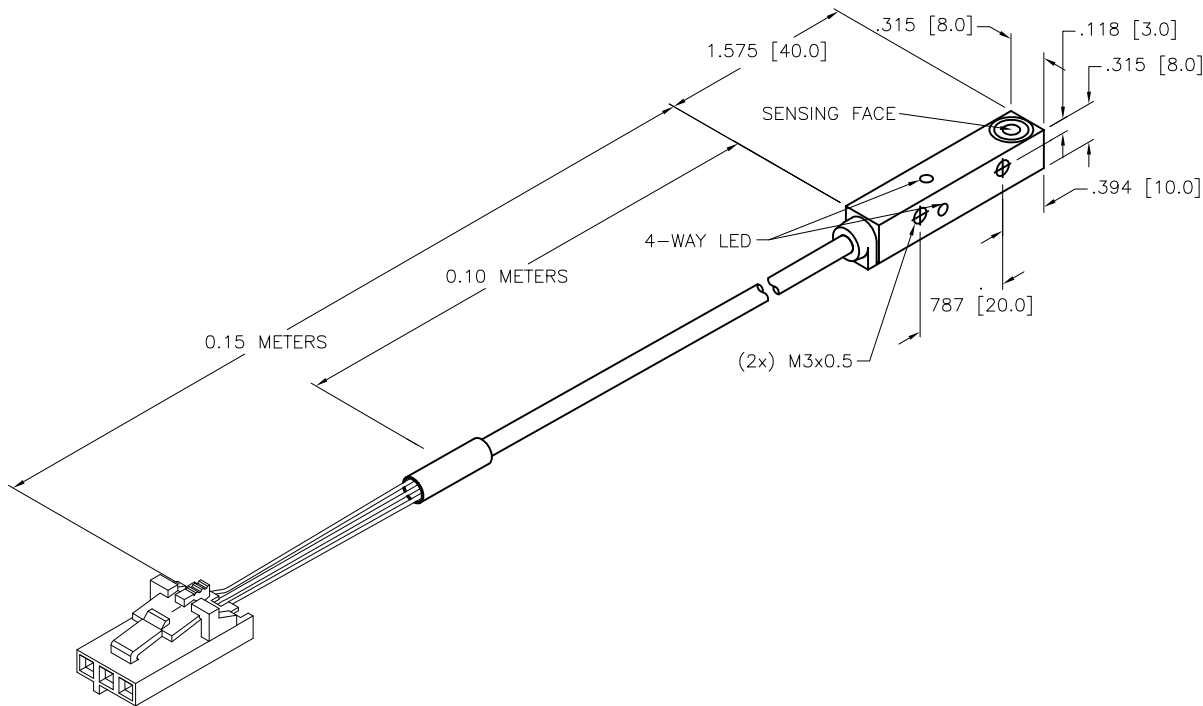
SHORT-CIRCUIT AND OVERLOAD PROTECTED

CONNECTOR END VIEW



SPECIFICATIONS

RATED OPERATING DISTANCE	4mm = .158"
MOUNTING MODE	FLUSH/NON-FLUSH
TEMPERATURE DRIFT	≤±10% ≤±15%, ≤ -25°C v ≥ +70°C
HYSTERESIS	3-15%
MIN. REPEAT ACCURACY	≤ 2%
OPERATING TEMPERATURE	-30°C to +85°C (-22°F to +185°F)
RATED OPERATIONAL VOLTAGE	10-30 VDC
RESIDUAL RIPPLE	≤10%
RATED OPERATIONAL CURRENT	≤ 150 mA
NO-LOAD CURRENT	≤ 15 mA
RESIDUAL CURRENT	≤ 0.1 mA
RATED INSULATION VOLTAGE	≤ 0.5 kV
SHORT-CIRCUIT PROTECTED	YES
MAX. VOLTAGE DROP	≤1.8 V
REVERSE POLARITY PROTECTION	YES
WIRE-BREAK PROTECTION	YES
OUTPUT FUNCTION	3-WIRE, NORMALLY OPEN, npn
MAX. SWITCHING FREQUENCY	≤ 1 kHz
HOUSING MATERIAL	PLASTIC, PP, YELLOW
ACTIVE FACE	PLASTIC, PP, YELLOW
CABLE	∅3.0, LifYY-11Y, TPU
SHOCK	30 g, 11 ms
VIBRATION	55 Hz, 1 mm AMPLITUDE (IN ALL 3 PLANES)
DEGREE OF PROTECTION	IP68
SWITCHING STATUS INDICATION	LED; YELLOW



NOTES:

1. "/CS12910" DESIGNATES SENSOR CUSTOM WIRED TO MOLEX CONNECTOR.
22 AWG CONDUCTORS SPLICED ONTO SENSOR CABLE AT 4.0" FROM THE BACK OF THE SENSOR. HEAT SHRINK TUBING USED TO COVER SPLICE.

MOLEX CONNECTOR: 50579403
MOLEX CONTACTS: 16-02-0103

PIN 1 = BROWN
PIN 2 = BLUE
PIN 3 = BLACK

LOCATE 1" HEAT SHRINK TUBING TO COVER 0.5" ON EITHER SIDE OF THE SPLICE.

SOURCE DRAWING - FOR REFERENCE ONLY

RELATED DOCUMENTS 1. 2. 3. 4.	3RD ANGLE PROJECTION	THIS DRAWING IS CONFIDENTIAL AND THE PROPERTY OF TURCK INC. USE OF THIS DOCUMENT WITHOUT WRITTEN PERMISSION IS PROHIBITED.		3000 CAMPUS DRIVE MINNEAPOLIS, MN 55441 1-800-544-7769 (763) 553-7300 (763) 553-0708 fax www.turck.us	
	MATERIAL SEE SPECIFICATIONS	DRFT RDS	DATE 11/29/10	DESCRIPTION NI4U-Q8SE-AN6X/CS12910	
FINISH	ALL DIMENSIONS DISPLAYED ON THIS DRAWING ARE FOR REFERENCE ONLY	APVD	SCALE 1=1.3	IDENTIFICATION NO. 4635885	
CONTACT TURCK FOR MORE INFORMATION		UNIT OF MEASUREMENT INCH [MILLIMETER]		REV C	
DO NOT SCALE THIS DRAWING		FILE: 4635885		SHEET 1 OF 1	

C	UPDATE ID NUMBER PER HARMONIZATION PROJECT	CBM	11/06/17	
REV	DESCRIPTION	BY	DATE	ECO NO.