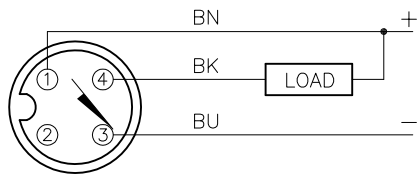
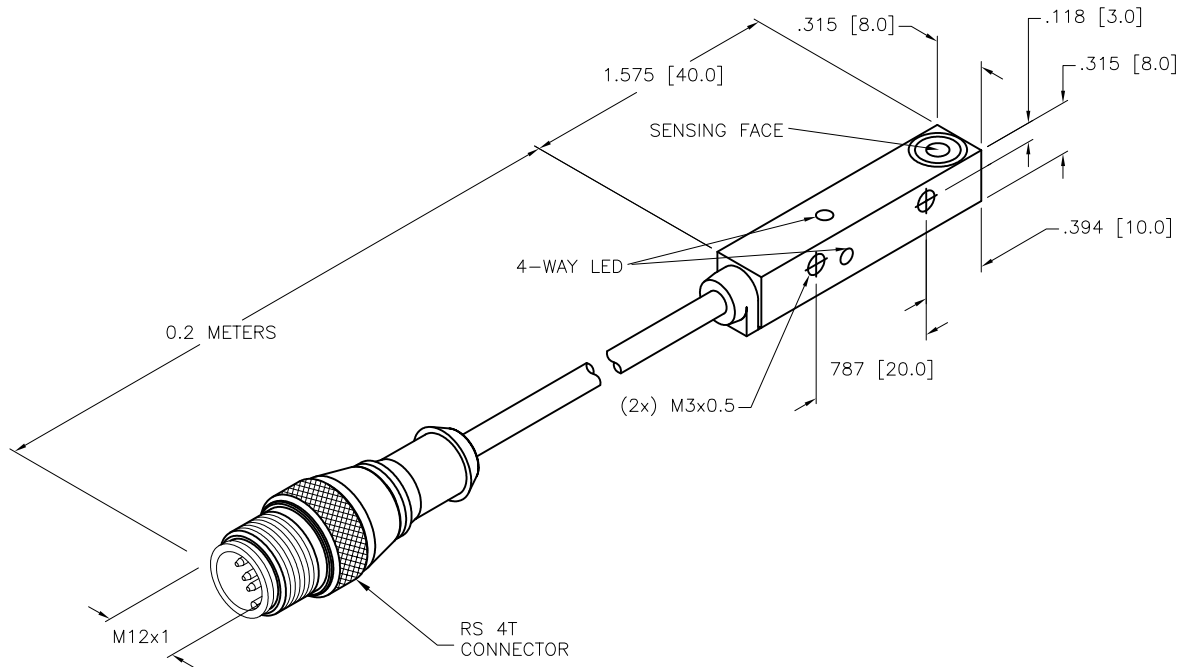


WIRING DIAGRAM



OUTPUT: AN6X

SHORT-CIRCUIT AND OVERLOAD PROTECTED



SPECIFICATIONS

RATED OPERATING DISTANCE	4mm = .158"
MOUNTING MODE	FLUSH/NON-FLUSH
TEMPERATURE DRIFT	≤±10% ≤±15%, ≤ -25°C v ≥ +70°C
HYSTERESIS	3-15%
MIN. REPEAT ACCURACY	≤ 2%
OPERATING TEMPERATURE	-30°C to +85°C (-22°F to +185°F)
RATED OPERATIONAL VOLTAGE	10-30 VDC
MAX. RIPPLE	≤10%
RATED OPERATIONAL CURRENT	≤ 150 mA
NO-LOAD CURRENT	≤ 15 mA
MAX. OFF-STATE CURRENT	≤ 0.1 mA
RATED INSULATION VOLTAGE	≤ 0.5 kV
SHORT-CIRCUIT PROTECTED	YES
MAX. VOLTAGE DROP	≤1.8 V
REVERSE POLARITY PROTECTION	YES
WIRE-BREAK PROTECTION	YES
OUTPUT FUNCTION	3-WIRE, NORMALLY OPEN, npn
MAX. SWITCHING FREQUENCY	≤ 1 kHz
HOUSING MATERIAL	PLASTIC, PP, YELLOW
ACTIVE FACE	PLASTIC, PP, YELLOW
CABLE	∅3.0, LifYY-11Y, TPU
SHOCK	30 g, 11 ms
VIBRATION	55 Hz, 1 mm AMPLITUDE (IN ALL 3 PLANES)
DEGREE OF PROTECTION	IP68
SWITCHING STATUS INDICATION	LED; YELLOW

SOURCE DRAWING - FOR REFERENCE ONLY

RELATED DOCUMENTS		3RD ANGLE PROJECTION		THIS DRAWING IS CONFIDENTIAL AND THE PROPERTY OF TURCK INC. USE OF THIS DOCUMENT WITHOUT WRITTEN PERMISSION IS PROHIBITED.		 3000 CAMPUS DRIVE MINNEAPOLIS, MN 55441 1-800-544-7769 (763) 553-7300 (763) 553-0708 fax www.turck.us	
1.			DRFT	RDS	DATE 10/27/15	DESCRIPTION	
2.			APVD	A.F.	SCALE 1=1.0	NI4U-Q8SE-AN6X-0.2-RS4T	
3.		ALL DIMENSIONS DISPLAYED ON THIS DRAWING ARE FOR REFERENCE ONLY CONTACT TURCK FOR MORE INFORMATION	UNIT OF MEASUREMENT			IDENTIFICATION NO.	REV
4.			INCH [MILLIMETER]			46358090	B
MATERIAL		SEE NOTE		DO NOT SCALE THIS DRAWING		FILE: 46358090	SHEET 1 OF 1
FINISH							

B	UPDATE ID NUMBER PER HARMONIZATION PROJECT	CBM	01/30/18	
REV	DESCRIPTION	BY	DATE	ECO NO.