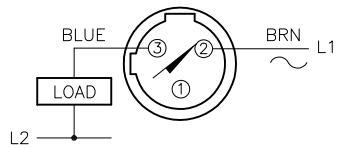


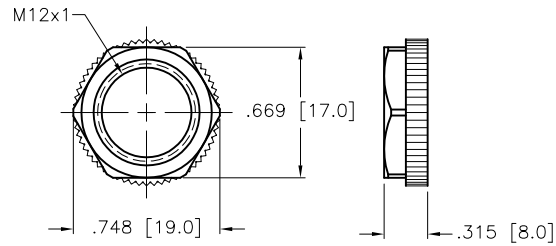
WIRING DIAGRAM



OUTPUT: AZ31X

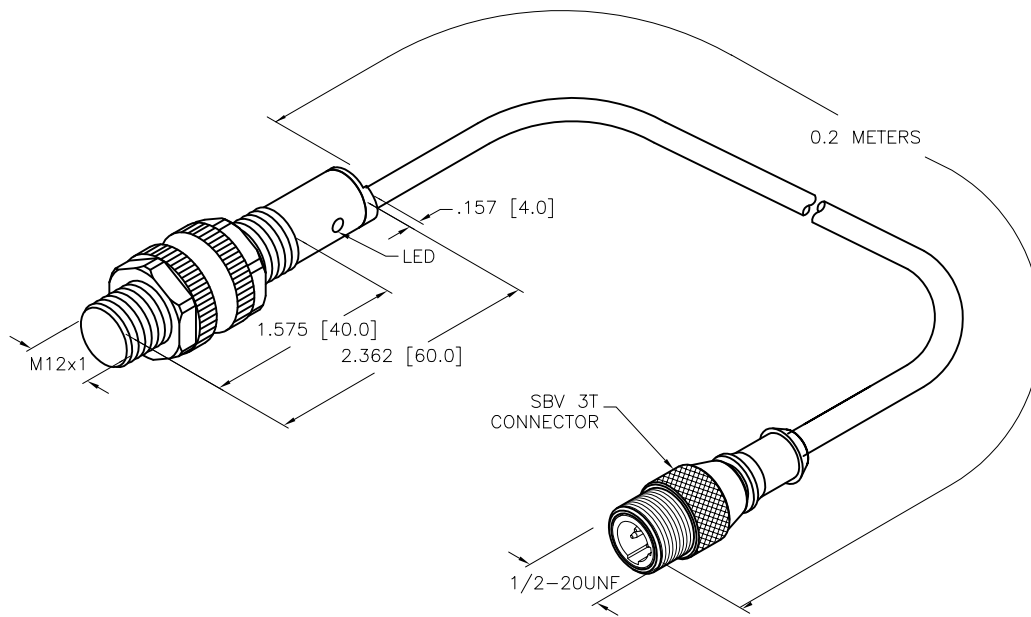
WARNING: NO SHORT-CIRCUIT PROTECTION.
ALWAYS WIRE A LOAD IN SERIES WITH THE SENSOR.

LOCKNUT LN-P12



SPECIFICATIONS

| | |
|--------------------------------|-----------------------------------|
| RATED OPERATING DISTANCE | 4mm [.157] |
| MOUNTING MODE | NON-FLUSH |
| TEMPERATURE DRIFT | ≤±10% |
| HYSTERESIS | 3-15% |
| MIN. REPEAT ACCURACY | ≤2% |
| OPERATING TEMPERATURE | -25°C to +100°C (-13°F to +212°F) |
| RATED OPERATIONAL VOLTAGE | 20-250 VAC/10-300 VDC |
| MAX. RIPPLE | ≤ 10% |
| RATED OPERATIONAL CURRENT (DC) | ≤ 200 mA |
| NO-LOAD CURRENT | ≤ 15 mA |
| MAX. OFF-STATE CURRENT | ≤ 0.1 mA |
| RATED INSULATION VOLTAGE | ≤ 0.5 kV |
| SHORT-CIRCUIT PROTECTION | YES |
| MAX. VOLTAGE DROP | ≤ 1.8 V |
| WIRE BREAKAGE PROTECTION | YES |
| REVERSE POLARITY PROTECTION | YES |
| OUTPUT FUNCTION | 2-WIRE, NORMALLY OPEN |
| MAX. SWITCHING FREQUENCY | ≤ 2 kHz |
| HOUSING MATERIAL | PLASTIC, PA12-GF20 |
| ACTIVE FACE | PLASTIC, PA12-GF20 |
| END CAP | PLASTIC, EPTR |
| CABLE | ∅5.2, PVC |
| VIBRATION RESISTANCE | 55 Hz (IN ALL 3 PLANES) |
| SHOCK RESISTANCE | 30 g, 11 ms |
| DEGREE OF PROTECTION | IP 67 |
| SWITCHING STATUS INDICATION | LED, YELLOW |



SOURCE DRAWING - FOR REFERENCE ONLY

NOTES:

1. "/S516" DESIGNATES LED ON SIDE OF SENSOR BARREL.

| | | | | | |
|---|-------------------------------|--|---|--|----------|
| RELATED DOCUMENTS 1. 2. 3. 4. | 3RD ANGLE PROJECTION | THIS DRAWING IS CONFIDENTIAL AND THE PROPERTY OF TURCK INC. USE OF THIS DOCUMENT WITHOUT WRITTEN PERMISSION IS PROHIBITED. | | 3000 CAMPUS DRIVE MINNEAPOLIS, MN 55441 1-800-544-7769 (763) 553-7300 (763) 553-0708 fax www.turck.us | |
| | MATERIAL SEE SPECIFICATION | ALL DIMENSIONS DISPLAYED ON THIS DRAWING ARE FOR REFERENCE ONLY | DRFT RDS DATE 01/05/12 | DESCRIPTION NI4-S12-AZ31X-0.2M-SBV3T/S516 | |
| | FINISH SEE SPECIFICATION | | APVD SCALE 1=1.3 | IDENTIFICATION NO. 1302300 | |
| | | | UNIT OF MEASUREMENT INCH [MILLIMETER] | | REV B |
| DO NOT SCALE THIS DRAWING | | FILE: 1302300 | | SHEET 1 OF 1 | |

| | | | | |
|-----|--|-----|----------|---------|
| B | UPDATE ID NUMBER PER HARMONIZATION PROJECT | CBM | 11/06/17 | |
| REV | DESCRIPTION | BY | DATE | ECO NO. |