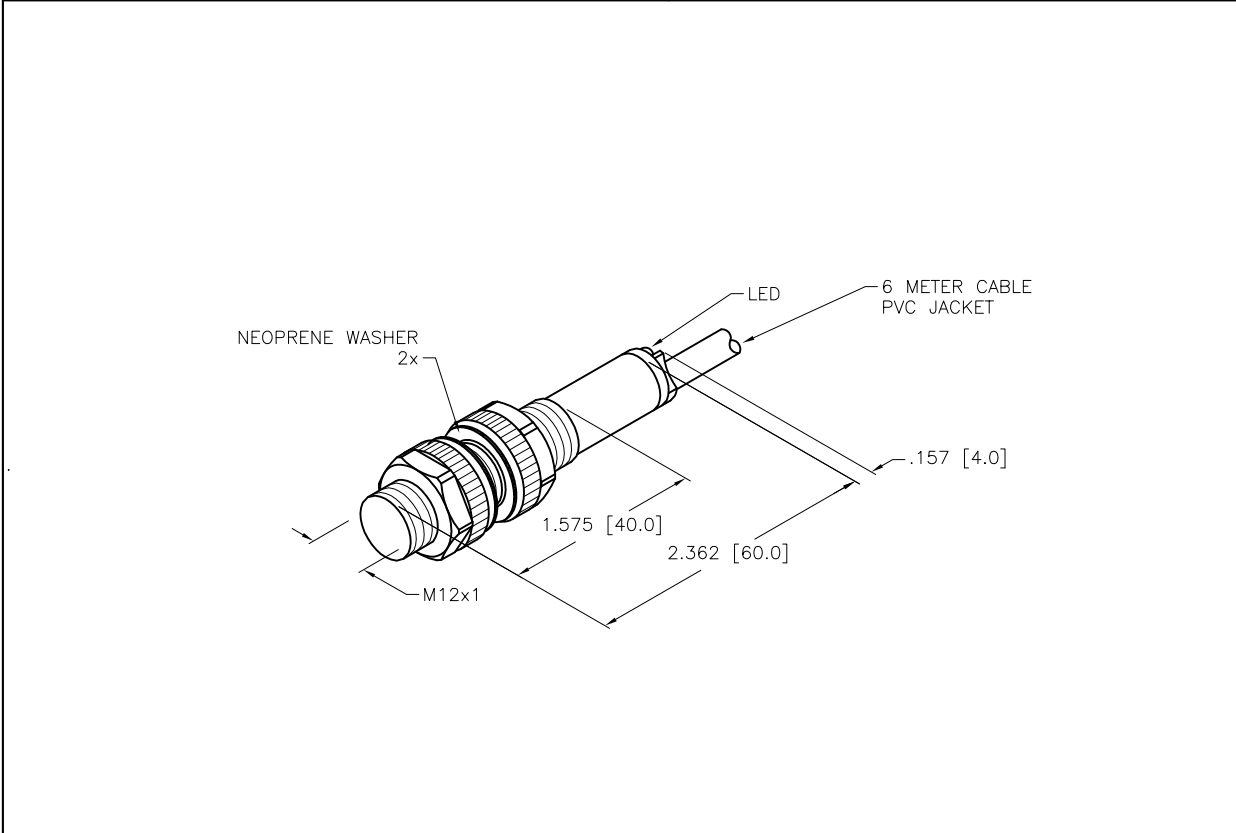


SPECIFICATIONS

OPERATING VOLTAGE	10-30 VDC (NOT SHORT-CIRCUIT PROTECTED)
RIPPLE	≤10%
DIFFERENTIAL TRAVEL (HYSTERESIS)	3-15% (5% TYPICAL)
VOLTAGE DROP ACROSS CONDUCTING SENSOR	≤ 0.7 V at 150 mA (0.3 TYPICAL)
OUTPUT FUNCTION	NORMALLY OPEN 3-WIRE DC SELF-CONTAINED
TTL COMPATIBLE	YES
SHORT-CIRCUIT PROTECTED	NO
CONTINUOUS LOAD CURRENT	≤ 150 mA
LEAKAGE (OFF-STATE) CURRENT	<10 μA
NO-LOAD CURRENT	5.5-9.5 mA



TIME DELAY BEFORE AVAILABILITY	≤ 8 ms
POWER-ON EFFECT PROTECTION	INCORPORATED
REVERSE POLARITY PROTECTION	INCORPORATED
WIRE-BREAK PROTECTION	INCORPORATED
PROTECTION AGAINST TRANSIENTS	2 kV, 1 ms, 1 kΩ
OPERATING TEMPERATURE	-25°C to +70°C (-13°F to +158°F)
ENCLOSURE	MEETS NEMA 1, 3, 4, 6, 13 AND IEC IP67
SHOCK	30 g, 11 ms
VIBRATION	55 Hz, 1 mm AMPLITUDE (IN ALL 3 PLANES)
LED FUNCTION	RED: OUTPUT ENERGIZED
RATED OPERATING DISTANCE(Sn)	4 mm = .157" (NOMINAL)
SWITCHING FREQUENCY	1500 Hz
REPEATABILITY	≤ 2% of RATED OPERATING DISTANCE
SHIELDED	NO

- NOTES:
1. "/S142" DESIGNATES SENSOR W/COLLECTOR RESISTOR AND DIODE.
 2. MOUNTING BRACKET MBS-142 INCLUDED W/SENSOR.
 3. NUTS TO BE SUPPLIED BY VENDOR.
 4. WASHERS AND M4x22 SCREWS (2) INCLUDED W/SENSOR.

SOURCE DRAWING - FOR REFERENCE ONLY

RELATED DOCUMENTS 1. 2. 3. 4.	3RD ANGLE PROJECTION 	THIS DRAWING IS CONFIDENTIAL AND THE PROPERTY OF TURCK INC. USE OF THIS DOCUMENT WITHOUT WRITTEN PERMISSION IS PROHIBITED.		3000 CAMPUS DRIVE MINNEAPOLIS, MN 55441 1-800-544-7769 (763) 553-7300 (763) 553-0708 fax www.turck.us	
			DRFT GMB DATE 03/06/89	DESCRIPTION NI4-S12-AN7X/S142-6M-MBS142	
MATERIAL PA 12-GF30 PLASTIC	ALL DIMENSIONS DISPLAYED ON THIS DRAWING ARE FOR REFERENCE ONLY	APVD	SCALE 1=2.0	IDENTIFICATION NO. 1774691	
FINISH		UNIT OF MEASUREMENT INCH [MILLIMETER]		REV D	
CONTACT TURCK FOR MORE INFORMATION		DO NOT SCALE THIS DRAWING		FILE: 1774691	

D	UPDATE ID NUMBER PER HARMONIZATION PROJECT	CBM	11/06/17	
REV	DESCRIPTION	BY	DATE	ECO NO.