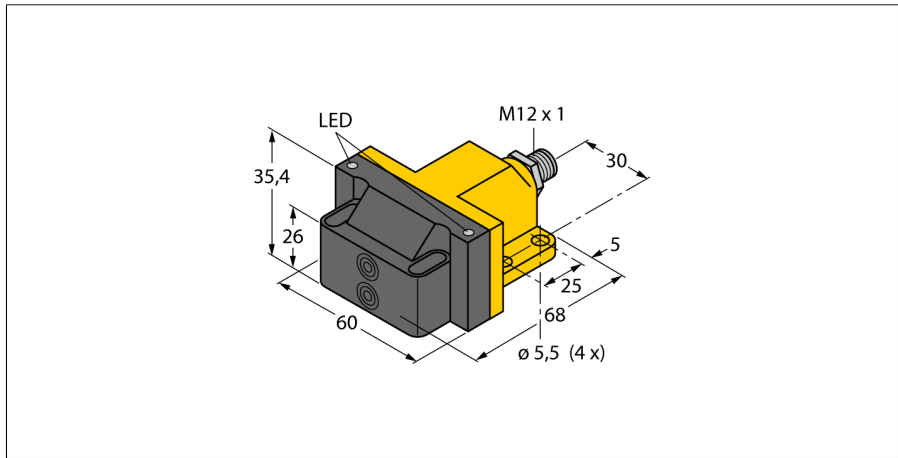


# Inductive sensor

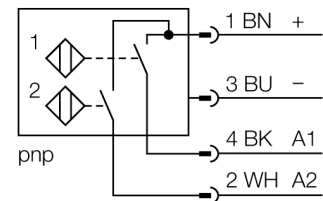
## For rotary actuators

### NI4-DSU26-2AP6X2-H1141



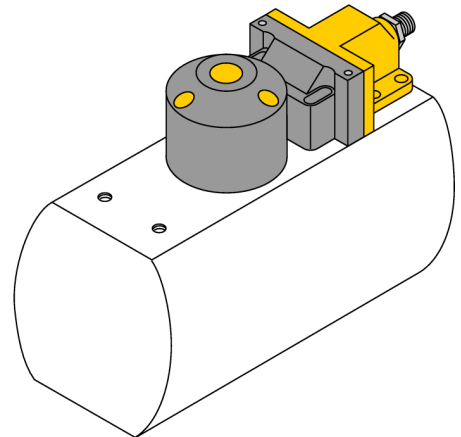
- Rectangular, housing DSU26
- Plastic, PP-GF30-VO
- Two outputs for monitoring the position of rotary actuators
- Mounting on all standard actuators
- 2 x NO contact, PNP output
- DC 4-wire, 10...30 VDC

#### Wiring Diagram



#### Functional principle

Inductive sensors detect metal objects contactless and wear-free. Dual sensors are especially designed for position detection in rotary actuators. They combine the reliability of non-contact inductive sensors with the flexibility of a modular housing system.



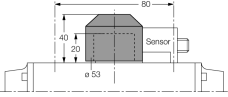
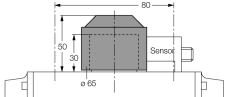
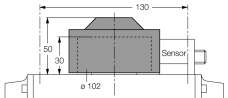
<b>Type designation</b>	NI4-DSU26-2AP6X2-H1141
Ident-No.	1569931
<b>Rated switching distance <math>S_n</math></b>	4 mm
Mounting conditions	Non-flush
Correction factors	St37 = 1; Al = 0.3; stainless steel = 0.7; Ms = 0.4
Repeat accuracy	$\leq 2\%$ of full scale
Temperature drift	$\leq \pm 10\%$
Hysteresis	3...15 %
Ambient temperature	-25...+70 °C
<b>Operating voltage</b>	10...30 VDC
Residual ripple	$\leq 10\% U_{ss}$
DC rated operational current	$\leq 200$ mA
No-load current $I_0$	$\leq 15$ mA
Residual current	$\leq 0.1$ mA
Isolation test voltage	$\leq 0.5$ kV
Short-circuit protection	yes/ Cyclic
Voltage drop at $I_0$	$\leq 1.8$ V
Output function	4-wire, NO contact, PNP
Switching frequency	0.05 kHz
<b>Design</b>	Dual sensor for valve monitoring, DSU26
Dimensions	68 x 60 x 35.4 mm
Housing material	Plastic, PP-GF30, Yellow
Active area material	Plastic, PP-GF30, black
Electrical connection	Connector, M12 x 1
Vibration resistance	55 Hz (1 mm)
Shock resistance	30 g (11 ms)
Protection class	IP67
MTTF	2283 years acc. to SN 29500 (Ed. 99) 40 °C
Packaging unit	1
<b>Switching state</b>	2 x LEDs, Yellow/Red

**Inductive sensor  
For rotary actuators  
NI4-DSU26-2AP6X2-H1141**



**Inductive sensor  
For rotary actuators  
NI4-DSU26-2AP6X2-H1141**

**Accessories**

Type code	Ident-No.	Description	
BTS-DSC26-EB1	6900222	Actuation kit (puck) for dual sensors; end position damped; hole pattern on flange surface 80 x 30 mm and 130 x 30mm; connection shaft (shaft extension) height 20 mm / Ø max. 35 mm	
BTS-DSC26-EB2	6900223	Actuation kit (puck) for dual sensors; end position damped; hole pattern on flange surface 80 x 30 mm and 130 x 30mm; connection shaft (shaft extension) height 30 mm / Ø max. 50 mm	
BTS-DSC26-EB3	6900224	Actuation kit (puck) for dual sensors; end position damped; hole pattern on flange surface 30 x 130 mm; connection shaft (shaft extension) height 30 mm / Ø max. 85 mm	

**Wiring accessories**

Type code	Ident-No.	Description	
RKC4.4T-2/TEL	6625013	Connection cable, female M12, straight, 4-pin, cable length: 2 m, sheath material: PVC, black; cULus approval; other cable lengths and qualities available, see <a href="http://www.turck.com">www.turck.com</a>	