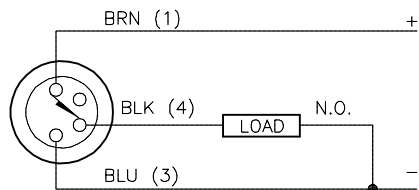


WIRING DIAGRAM

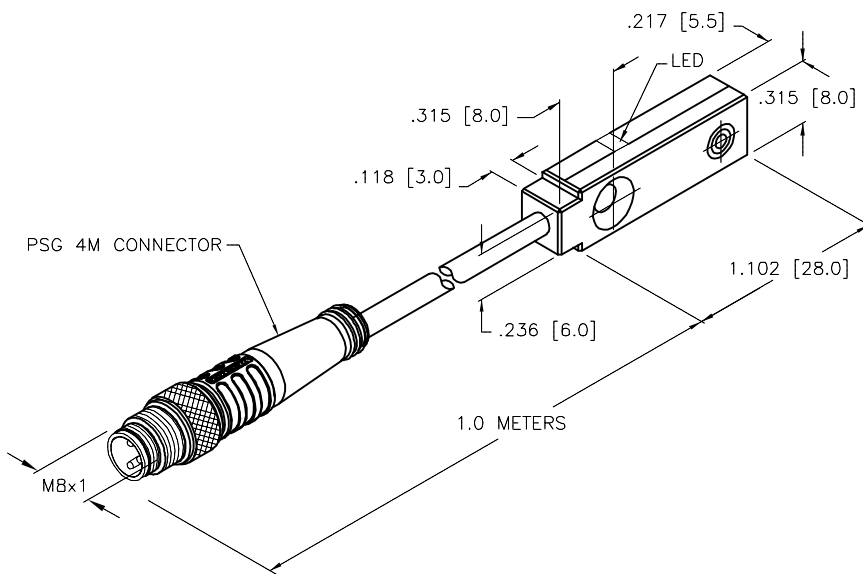


OUTPUT: RP6X

SHORT-CIRCUIT AND OVERLOAD PROTECTED

SPECIFICATIONS

RATED OPERATING DISTANCE	3.5mm =.138"
MOUNTING MODE	NON-FLUSH
MIN. REPEAT ACCURACY	≤ 2%
TEMPERATURE DRIFT	≤ ±10%
HYSTERESIS	3-15%
OPERATING TEMPERATURE	-25°C to +70°C (-13°F to +158°F)
RATED OPERATIONAL VOLTAGE	10-30 VDC
RESIDUAL RIPPLE	≤ 10%
RATED OPERATIONAL CURRENT	≤ 150 mA
NO-LOAD CURRENT	≤ 15 mA
RESIDUAL CURRENT	≤ 0.1 mA
RATED INSULATION VOLTAGE	≤ 0.5 kV
SHORT-CIRCUIT PROTECTED	YES
MAX. VOLTAGE DROP	≤ 1.8 V
REVERSE POLARITY PROTECTION	INCORPORATED
WIRE-BREAK PROTECTION	INCORPORATED
OUTPUT FUNCTION	NORMALLY CLOSED, 3-WIRE, PNP
MAX. SWITCHING FREQUENCY	≤ 2 kHz
HOUSING MATERIAL/COLOR	PLASTIC, PP/YELLOW
ACTIVE FACE	PLASTIC, PA12-GF20
CABLE	∅3.0, LiYY-11Y, TPU
SHOCK RESISTANCE	30 g, 11 ms
VIBRATION RESISTANCE	55 Hz, 1 mm AMPLITUDE (IN ALL 3 PLANES)
DEGREE OF PROTECTION	IP67
SWITCHING STATUS INDICATION	LED: YELLOW



SOURCE DRAWING - FOR REFERENCE ONLY

RELATED DOCUMENTS		3RD ANGLE PROJECTION		THIS DRAWING IS CONFIDENTIAL AND THE PROPERTY OF TURCK INC. USE OF THIS DOCUMENT WITHOUT WRITTEN PERMISSION IS PROHIBITED.		3000 CAMPUS DRIVE MINNEAPOLIS, MN 55441 1-800-544-7769 (763) 553-7300 (763) 553-0708 fax www.turck.us	
1.			ALL DIMENSIONS DISPLAYED ON THIS DRAWING ARE FOR REFERENCE ONLY	DRFT	TV	DATE	02/15/17
2.				APVD	A.F.	SCALE	1=1.0
3.		UNIT OF MEASUREMENT				DESCRIPTION	
4.		INCH [MILLIMETER]				NI 3.5-Q5.5-RP6X-1M-PSG 4M	
MATERIAL		SEE SPECIFICATIONS		IDENTIFICATION NO.		REV	
FINISH		SEE SPECIFICATIONS		4613999		A	
CONTACT TURCK FOR MORE INFORMATION		DO NOT SCALE THIS DRAWING		FILE: 4613999		SHEET 1 OF 1	

A	DRAWING RELEASE	TV	02/15/17	
REV	DESCRIPTION	BY	DATE	ECO NO.