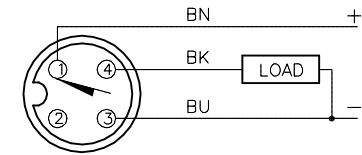


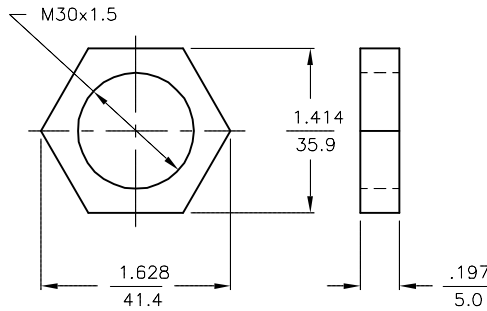
WIRING DIAGRAMS



OUTPUT: AP6X

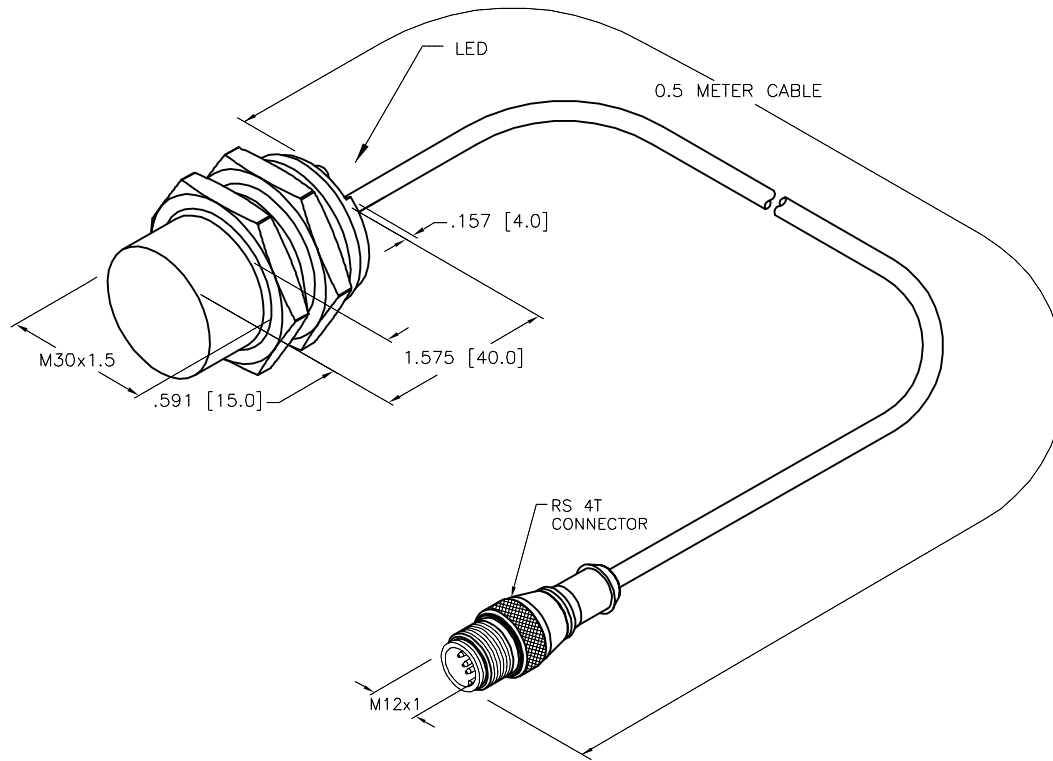
SHORT-CIRCUIT AND OVERLOAD PROTECTED

LOCKNUT LN-M30


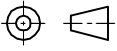


SPECIFICATIONS

RATED OPERATING DISTANCE	30mm = 1.181"
MOUNTING MODE	NON-FLUSH
MIN. REPEAT ACCURACY	≤ 2%
TEMPERATURE DRIFT	≤ ±10%
HYSTERESIS	3-15%
OPERATING TEMPERATURE	-25°C to +70°C (-13°F to +158°F)
RATED OPERATIONAL VOLTAGE	10-30 VDC
RESIDUAL RIPPLE	≤ 10%
DC RATED OPERATIONAL CURRENT	≤ 200 mA
NO-LOAD CURRENT	≤ 15 mA
RESIDUAL CURRENT	≤ 0.1 mA
RATED INSULATION VOLTAGE	≤ 0.5 kV
SHORT-CIRCUIT PROTECTION	YES
MAX. VOLTAGE DROP	≤ 1.8 V
WIRE BREAKAGE PROTECTION	INCORPORATED
REVERSE POLARITY PROTECTION	INCORPORATED
OUTPUT FUNCTION	3-WIRE, NORMALLY OPEN, PNP
MAX. SWITCHING FREQUENCY	≤ 0.5 kHz
HOUSING MATERIAL	METAL, BRASS/CHROME-PLATED
ACTIVE FACE MATERIAL	PLASTIC, LCP-GF30
END CAP MATERIAL	PLASTIC, EPTR
CABLE	∅5.3, PVC
VIBRATION RESISTANCE	55 Hz, 1 mm AMPLITUDE (IN ALL 3 PLANES)
SHOCK RESISTANCE	30 g, 11 ms
DEGREE OF PROTECTION	IP67
SWITCHING STATUS INDICATION	LED, YELLOW



SOURCE DRAWING - FOR REFERENCE ONLY

RELATED DOCUMENTS		3RD ANGLE PROJECTION		THIS DRAWING IS CONFIDENTIAL AND THE PROPERTY OF TURCK INC. USE OF THIS DOCUMENT WITHOUT WRITTEN PERMISSION IS PROHIBITED.		 3000 CAMPUS DRIVE MINNEAPOLIS, MN 55441 1-800-544-7769 (763) 553-7300 (763) 553-0708 fax www.turck.us	
1.				DRFT	RDS	DATE	02/29/08
2.				APVD	AF	SCALE	1=1.5
3.		ALL DIMENSIONS DISPLAYED ON THIS DRAWING ARE FOR REFERENCE ONLY		UNIT OF MEASUREMENT		DESCRIPTION	
4.		CONTACT TURCK FOR MORE INFORMATION		INCH [ MILLIMETER ]		NI30-G30K-AP6X-0.5-RS4T	
MATERIAL		FINISH		DO NOT SCALE THIS DRAWING		IDENTIFICATION NO.	
500000000149		ECO NO.		FILE: 4670790		REV	
D UPDATE DESCRIPTION		RDS 06/20/19		4670790		D	
REV DESCRIPTION		BY DATE		SHEET 1 OF 1			

D	UPDATE DESCRIPTION	RDS	06/20/19	500000000149
REV	DESCRIPTION	BY	DATE	ECO NO.