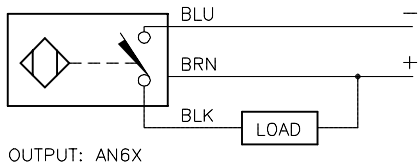
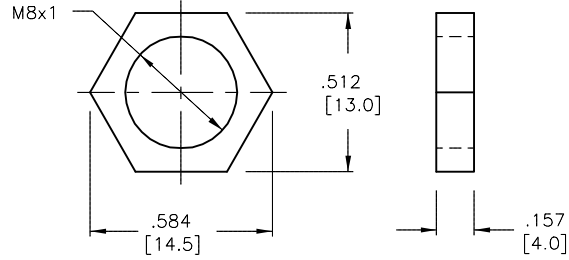


WIRING DIAGRAM



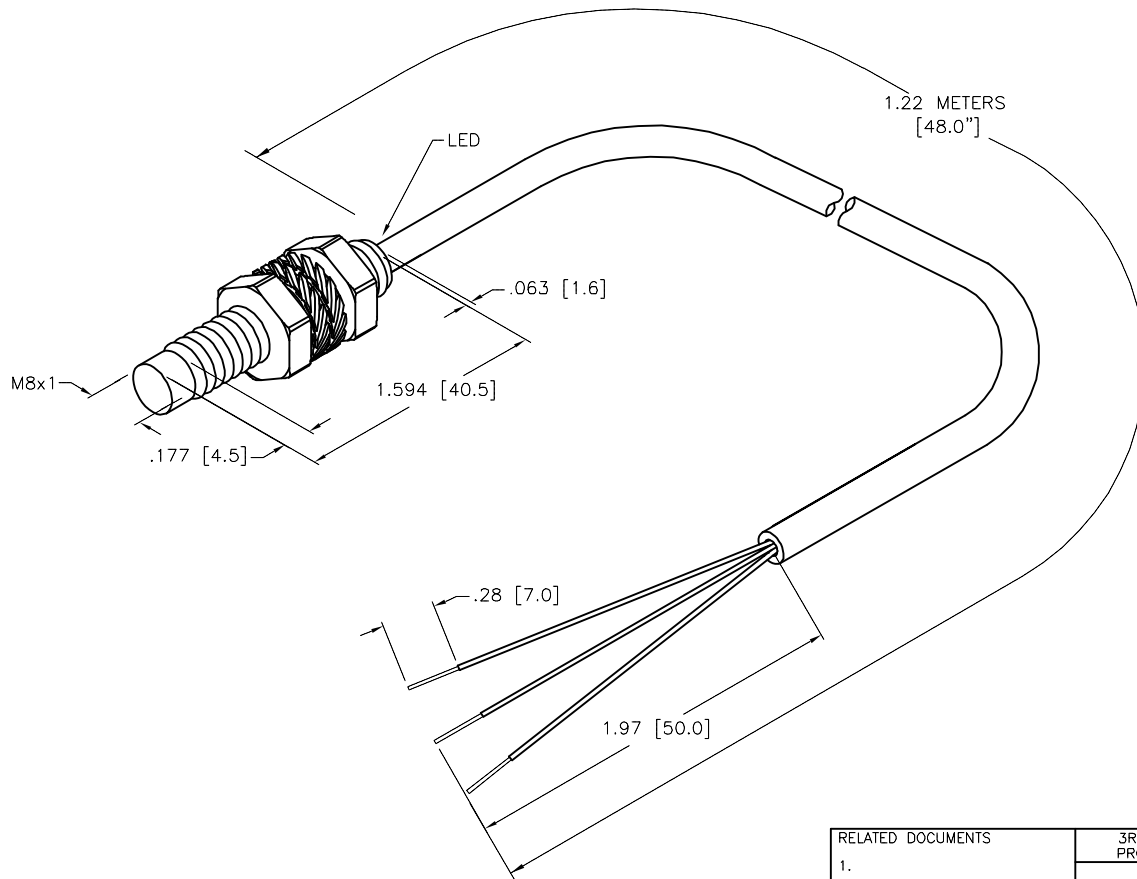
SHORT-CIRCUIT AND OVERLOAD PROTECTED

LOCKNUT LN-SS8



SPECIFICATIONS

RATED OPERATING DISTANCE	3.0 mm [.118]
MOUNTING MODE	NON-FLUSH
TEMPERATURE DRIFT	≤ ±10%
HYSTERESIS	3-15%
MIN. REPEAT ACCURACY	≤ 2%
OPERATING TEMPERATURE	-25°C to +70°C (-13°F to +158°F)
RATED OPERATIONAL VOLTAGE	10-30 VDC
RESIDUAL RIPPLE	≤ 10%
RATED OPERATIONAL CURRENT	≤ 150 mA
NO-LOAD CURRENT	≤ 15 mA
RESIDUAL CURRENT	≤ 0.1 mA
RATED INSULATION VOLTAGE	≤ 0.5 kV
SHORT-CIRCUIT PROTECTION	YES
MAX. VOLTAGE DROP	≤ 1.8 V
WIRE BREAKAGE PROTECTION	INCORPORATED
REVERSE POLARITY PROTECTION	INCORPORATED
OUTPUT FUNCTION	3-WIRE, NORMALLY OPEN, NPN
MAX. SWITCHING FREQUENCY	≤ 2.8 kHz
HOUSING MATERIAL	STAINLESS STEEL A4 1.4404 (AISI 316L)
ACTIVE FACE	PLASTIC, PLASTIC, PA12-GF20
END CAP	PLASTIC, PP
CABLE	∅3.0, LiYY-11Y, PUR
VIBRATION RESISTANCE	55 Hz (IN ALL 3 PLANES)
SHOCK RESISTANCE	30 g, 11 ms
DEGREE OF PROTECTION	IP 67
SWITCHING STATUS INDICATION	LED, YELLOW



NOTES:

1. "/CS11827" DESIGNATES CUSTOM LENGTH, NO FERRULES, STRIP AND TIN THE PIGTAIL END AT STANDARD LENGTH.

SOURCE DRAWING - FOR REFERENCE ONLY

RELATED DOCUMENTS 1. 2. 3. 4.	3RD ANGLE PROJECTION 	THIS DRAWING IS CONFIDENTIAL AND THE PROPERTY OF TURCK INC. USE OF THIS DOCUMENT WITHOUT WRITTEN PERMISSION IS PROHIBITED.		3000 CAMPUS DRIVE MINNEAPOLIS, MN 55441 1-800-544-7769 (763) 553-7300 (763) 553-0708 fax www.turck.us	
		DRFT RDS APVD J.M.	DATE 04/01/19 SCALE 1=1.0	DESCRIPTION NI3-M08E-AN6X/CS11827	
		UNIT OF MEASUREMENT <b>INCH [ MILLIMETER ]</b>		IDENTIFICATION NO. 46028310	REV A
		CONTACT TURCK FOR MORE INFORMATION DO NOT SCALE THIS DRAWING		FILE: 46028310	SHEET 1 OF 1

A	DRAWING RELEASE	RDS	04/01/19	
REV	DESCRIPTION	BY	DATE	ECO NO.