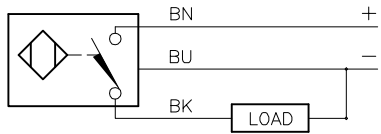
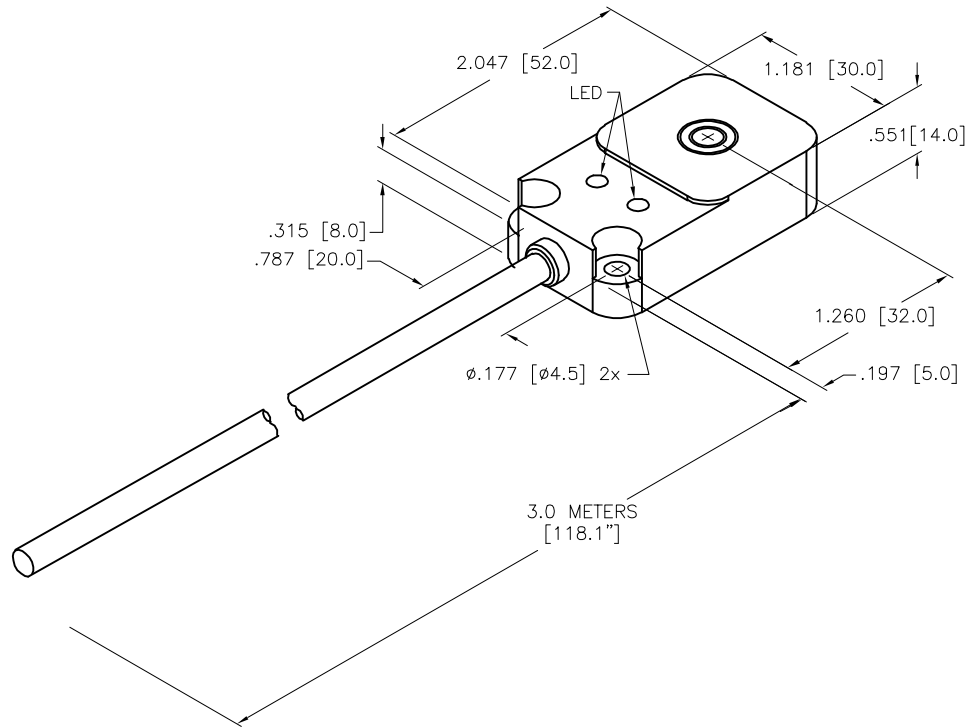


WIRING DIAGRAM



OUTPUT: AP45X2LD


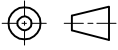
SHORT-CIRCUIT AND OVERLOAD PROTECTED



SPECIFICATIONS

| | |
|------------------------------|---|
| RATED OPERATING DISTANCE | 20mm = .787" |
| MOUNTING MODE | NON-FLUSH |
| MIN. REPEAT ACCURACY | ≤ 2% |
| TEMPERATURE DRIFT | ≤ ±10% |
| HYSTERESIS | 3-15% |
| OPERATING TEMPERATURE | -40°C to +85°C (-40°F to +185°F) |
| RATED OPERATIONAL VOLTAGE | 8.4-65 VDC |
| MAX. RIPPLE | ≤ 10% |
| DC RATED OPERATIONAL CURRENT | ≤ 200 mA |
| NO-LOAD CURRENT | ≤ 15 mA |
| RESIDUAL CURRENT | ≤ 0.1 mA |
| RATED INSULATION VOLTAGE | ≤ 0.5 kV |
| SHORT-CIRCUIT PROTECTION | YES, CYCLIC |
| MAX. VOLTAGE DROP | ≤ 1.8 V |
| WIRE BREAKAGE PROTECTION | INCORPORATED |
| REVERSE POLARITY PROTECTION | INCORPORATED |
| OUTPUT FUNCTION | 3-WIRE, NORMALLY OPEN, PNP |
| MAX. SWITCHING FREQUENCY | ≤ 0.5 kHz |
| HOUSING MATERIAL | PLASTIC, PBT-GF30-V0 |
| MATERIAL ACTIVE FACE | PLASTIC, PBT-GF30-V0 |
| CABLE | ∅5.2, TPU |
| VIBRATION RESISTANCE | 55 Hz, 1 mm AMPLITUDE (IN ALL 3 PLANES) |
| SHOCK RESISTANCE | 30 g, 11 ms |
| DEGREE OF PROTECTION | IP67 |
| OPERATING VOLTAGE DISPLAY | LED, GREEN |
| SWITCHING STATUS INDICATION | LED, YELLOW |
| LOAD & DUMP PROTECTION | DIN 40839 (SAE J 1113-11) |

SOURCE DRAWING - FOR REFERENCE ONLY

| | | | | | | | |
|-----------------------------|-------------|---|----------|--|---------------|---|--------------|
| RELATED DOCUMENTS | | 3RD ANGLE PROJECTION | | THIS DRAWING IS CONFIDENTIAL AND THE PROPERTY OF TURCK INC. USE OF THIS DOCUMENT WITHOUT WRITTEN PERMISSION IS PROHIBITED. | |  3000 CAMPUS DRIVE MINNEAPOLIS, MN 55441 1-800-544-7769 (763) 553-7300 (763) 553-0708 fax www.turck.us | |
| 1. 2. 3. 4. | |  | | DRFT NF | DATE 01/19/23 | DESCRIPTION | |
| MATERIAL SEE SPECIFICATIONS | | ALL DIMENSIONS DISPLAYED ON THIS DRAWING ARE FOR REFERENCE ONLY | | APVD A.F. | SCALE 1=1.3 | NI20-Q14-AP45X2LD 3M | |
| FINISH | | CONTACT TURCK FOR MORE INFORMATION | | UNIT OF MEASUREMENT | | IDENTIFICATION NO. | REV |
| | | | | INCH [MILLIMETER] | | 200001066 | A |
| A DRAWING RELEASE | | NF | 03/02/23 | DO NOT SCALE THIS DRAWING | | FILE: 200001066 | SHEET 1 OF 1 |
| REV | DESCRIPTION | BY | DATE | ECO NO. | | | |

| | | | | |
|-----|-----------------|----|----------|---------|
| A | DRAWING RELEASE | NF | 03/02/23 | |
| REV | DESCRIPTION | BY | DATE | ECO NO. |