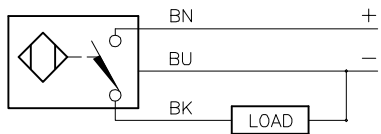


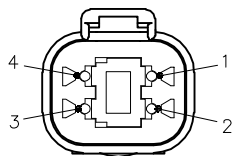
WIRING DIAGRAM



OUTPUT: AP45X2LD

SHORT-CIRCUIT AND OVERLOAD PROTECTED

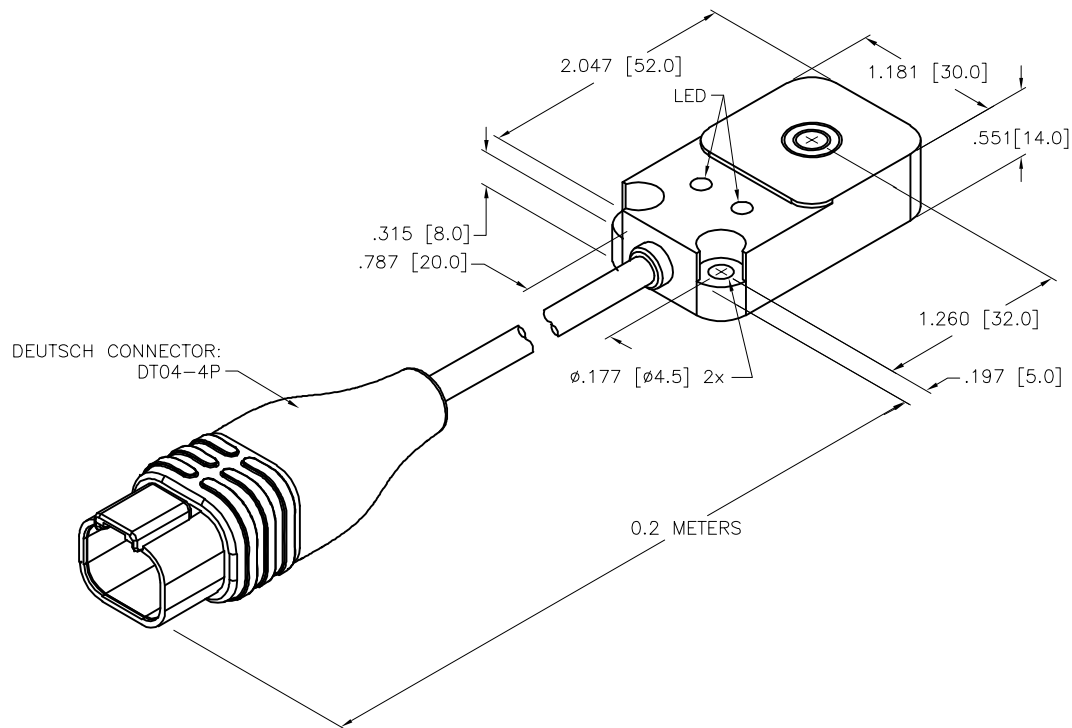
MALE END VIEW



- 1 = BROWN
- 2 = N/C
- 3 = BLACK
- 4 = BLUE

SPECIFICATIONS

RATED OPERATING DISTANCE	20mm = .787"
MOUNTING MODE	NON-FLUSH
MIN. REPEAT ACCURACY	≤ 2%
TEMPERATURE DRIFT	≤ ±10%
HYSTERESIS	3-15%
OPERATING TEMPERATURE	-40°C to +85°C (-40°F to +185°F)
RATED OPERATIONAL VOLTAGE	8.4-65 VDC
MAX. RIPPLE	≤ 10%
DC RATED OPERATIONAL CURRENT	≤ 200 mA
NO-LOAD CURRENT	≤ 15 mA
RESIDUAL CURRENT	≤ 0.1 mA
RATED INSULATION VOLTAGE	≤ 0.5 kV
SHORT-CIRCUIT PROTECTION	YES, CYCLIC
MAX. VOLTAGE DROP	≤ 1.8 V
WIRE BREAKAGE PROTECTION	INCORPORATED
REVERSE POLARITY PROTECTION	INCORPORATED
OUTPUT FUNCTION	3-WIRE, NORMALLY OPEN, PNP
MAX. SWITCHING FREQUENCY	≤ 0.5 kHz
HOUSING MATERIAL	PLASTIC, PBT-GF30-V0
MATERIAL ACTIVE FACE	PLASTIC, PBT-GF30-V0
CABLE	∅5.2, 3x20 AWG, TPE
VIBRATION RESISTANCE	55 Hz, 1 mm AMPLITUDE (IN ALL 3 PLANES)
SHOCK RESISTANCE	30 g, 11 ms
DEGREE OF PROTECTION	IP68/69K (SENSOR) IP67, IP69K (CONNECTOR)
OPERATING VOLTAGE DISPLAY	LED, GREEN
SWITCHING STATUS INDICATION	LED, YELLOW
LOAD & DUMP PROTECTION	DIN 40839 (SAE J 1113-11)



SOURCE DRAWING - FOR REFERENCE ONLY

NOTES:

1. DEUTSCH PARTS: # DT04-4P-CE02 (CONNECTOR)  
# W4P (WEDGE LOCK)  
# 460-202-16141 (PIN TERMINAL)

PINOUT:

- 1 = BROWN
- 2 = N/C
- 3 = BLACK
- 4 = BLUE

RELATED DOCUMENTS 1. 2. 3. 4.	3RD ANGLE PROJECTION	THIS DRAWING IS CONFIDENTIAL AND THE PROPERTY OF TURCK INC. USE OF THIS DOCUMENT WITHOUT WRITTEN PERMISSION IS PROHIBITED.		3000 CAMPUS DRIVE MINNEAPOLIS, MN 55441 1-800-544-7769 (763) 553-7300 (763) 553-0708 fax www.turck.us	
	MATERIAL SEE SPECIFICATIONS	DRFT	NF	DATE	09/03/20
		APVD	A.F.	SCALE	1=1.3
	FINISH	ALL DIMENSIONS DISPLAYED ON THIS DRAWING ARE FOR REFERENCE ONLY	UNIT OF MEASUREMENT <b>INCH [ MILLIMETER ]</b>		DESCRIPTION NI20-Q14-AP45X2LD-0.2-DT04-4PM4.31
CONTACT TURCK FOR MORE INFORMATION		DO NOT SCALE THIS DRAWING		IDENTIFICATION NO. 100025311	FILE: 100025311 SHEET 1 OF 1

A	DRAWING RELEASE	NF	11/05/20	
REV	DESCRIPTION	BY	DATE	ECO NO.