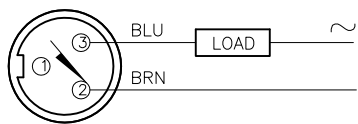
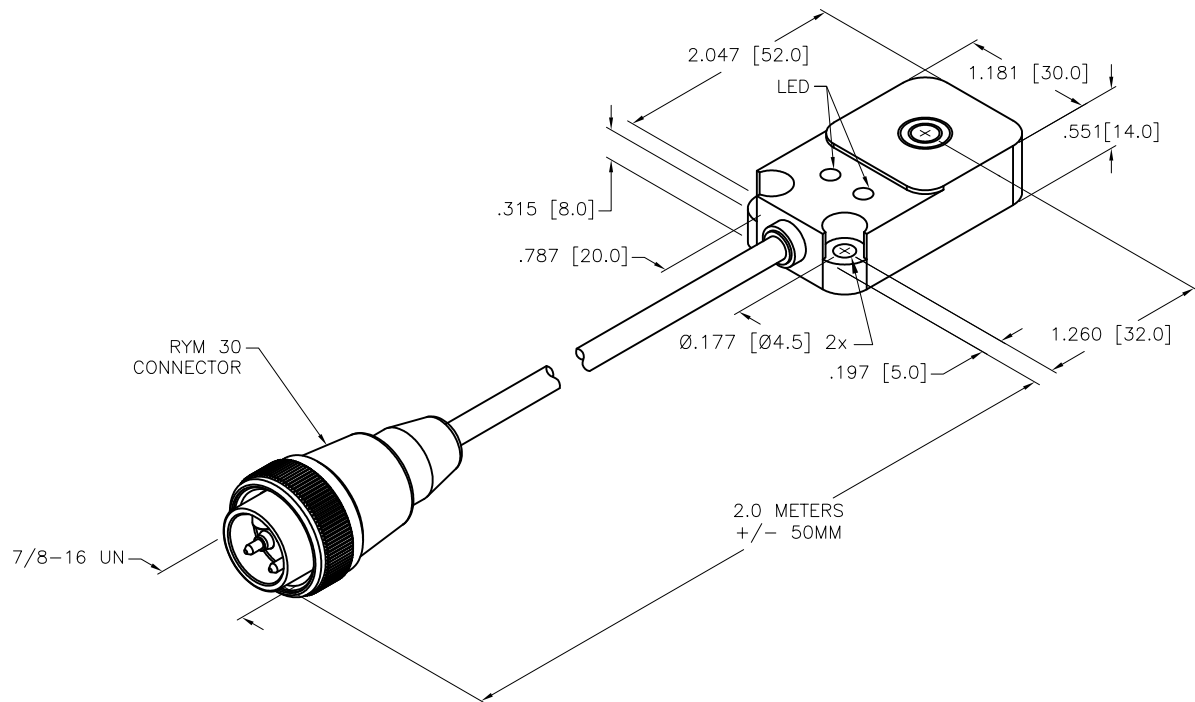


WIRING DIAGRAM



OUTPUT: ADZ32X

SHORT-CIRCUIT AND OVERLOAD PROTECTED



SPECIFICATIONS

RATED OPERATING DISTANCE	20mm = .787" (NOMINAL)
MOUNTING MODE	NON-FLUSH
MIN. REPEAT ACCURACY	≤ 2%
TEMPERATURE DRIFT	≤ ±10%
HYSTERESIS	3-15%
OPERATING TEMPERATURE	-25°C to +70°C (-13°F to +158°F)
RATED OPERATIONAL VOLTAGE (AC/DC)	20-250 VAC/10-300 VDC
RATED OPERATIONAL CURRENT (AC/DC)	≤ 100 mA/≤ 100 mA
FREQUENCY	50-60 Hz
RESIDUAL CURRENT	≤ 1.7 mA
RATED INSULATION VOLTAGE	≤ 1.5 kV
SURGE CURRENT	≤ 1.0 A (≤ 10 ms MAX. 5 Hz)
SHORT-CIRCUIT PROTECTION	YES, LATCHING
MAX. VOLTAGE DROP	≤ 6.0 V
WIRE BREAKAGE PROTECTION	INCORPORATED
REVERSE POLARITY PROTECTION	INCORPORATED
OUTPUT FUNCTION	2-WIRE, NORMALLY OPEN
SMALLEST OPERATING CURRENT	≥ 3.0 mA
MAX. SWITCHING FREQUENCY	≤ 0.02 kHz
HOUSING MATERIAL	PLASTIC, PBT-GF30-V0
MATERIAL ACTIVE FACE	PLASTIC, PBT-GF30-V0
CABLE	Ø5.2, TPU
VIBRATION RESISTANCE	55 Hz, 1 mm AMPLITUDE (IN ALL 3 PLANES)
SHOCK RESISTANCE	30 g, 11 ms
DEGREE OF PROTECTION	IP67
OPERATING VOLTAGE DISPLAY	LED, GREEN
SWITCHING STATUS INDICATION	LED, RED

SOURCE DRAWING - FOR REFERENCE ONLY

RELATED DOCUMENTS 1. 2. 3. 4.	3RD ANGLE PROJECTION 	THIS DRAWING IS CONFIDENTIAL AND THE PROPERTY OF TURCK INC. USE OF THIS DOCUMENT WITHOUT WRITTEN PERMISSION IS PROHIBITED.		3000 CAMPUS DRIVE MINNEAPOLIS, MN 55441 1-800-544-7769 (763) 553-7300 (763) 553-0708 fax www.turck.us		
	MATERIAL SEE SPECIFICATIONS	ALL DIMENSIONS DISPLAYED ON THIS DRAWING ARE FOR REFERENCE ONLY	DRFT RDS DATE 05/04/10	DESCRIPTION NI20-Q14-ADZ32X2-2M-RYM 30		
FINISH SEE SPECIFICATIONS	CONTACT TURCK FOR MORE INFORMATION		APVD SCALE 1=1.5	UNIT OF MEASUREMENT INCH [MILLIMETER]		IDENTIFICATION NO. 4205480
DO NOT SCALE THIS DRAWING		FILE: 4205480		SHEET 1 OF 1		

D	UPDATE ID NUMBER PER HARMONIZATION PROJECT	CBM	11/06/17	
REV	DESCRIPTION	BY	DATE	ECO NO.