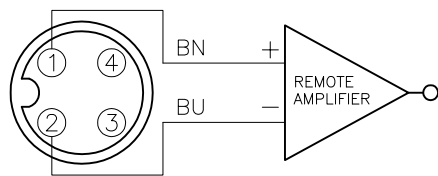


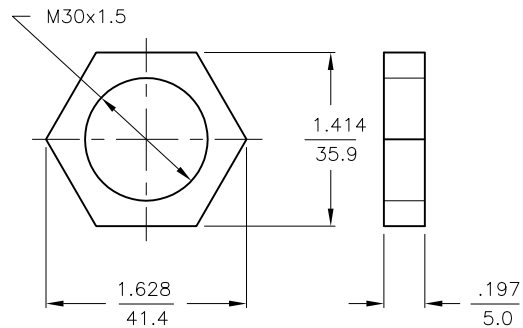
WIRING DIAGRAM

LOCKNUT LN-M30

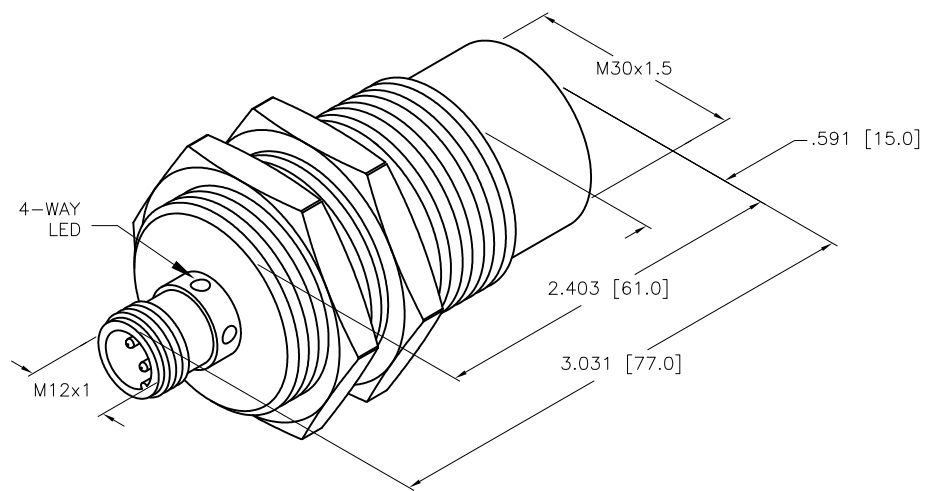
SPECIFICATIONS



OUTPUT: YOX
SHORT-CIRCUIT AND OVERLOAD PROTECTED



RATED OPERATING DISTANCE	20mm [.787]
MOUNTING MODE	NON-FLUSH
MIN. REPEAT ACCURACY	≤ 2%
TEMPERATURE DRIFT	≤ ±10%
HYSTERESIS	1-10%
OPERATING TEMPERATURE	-25°C to +70°C (-13°F to +158°F)
OUTPUT FUNCTION	2-WIRE, NAMUR
SWITCHING FREQUENCY	≤ 0.15 kHz
OPERATING VOLTAGE	NOM. 8.2 VDC
NON-ACTUATED CURRENT CONSUMPTION	≥ 2.1 mA
ACTUATED CURRENT CONSUMPTION	≤ 1.2 mA
HOUSING MATERIAL/PLATING	BRASS/CHROME
ACTIVE FACE MATERIAL	PLASTIC, PBT
CONNECTOR	M12x1
SHOCK RESISTANCE	30 g, 11 ms
VIBRATION RESISTANCE	55 Hz, 1 mm AMPLITUDE (IN ALL 3 PLANES)
DEGREE OF PROTECTION	IP67
SWITCHING STATUS INDICATION	LED: YELLOW



SOURCE DRAWING - FOR REFERENCE ONLY

RELATED DOCUMENTS		3RD ANGLE PROJECTION		THIS DRAWING IS CONFIDENTIAL AND THE PROPERTY OF TURCK INC. USE OF THIS DOCUMENT WITHOUT WRITTEN PERMISSION IS PROHIBITED.		3000 CAMPUS DRIVE MINNEAPOLIS, MN 55441 1-800-544-7769 (763) 553-7300 (763) 553-0708 fax www.turck.us	
1.			DRFT RDS DATE 11/17/09 APVD SCALE 1=1.0	DESCRIPTION NI20-M30-YOX-H1141			
2.				UNIT OF MEASUREMENT INCH [MILLIMETER]		IDENTIFICATION NO. 4020470	
3.		ALL DIMENSIONS DISPLAYED ON THIS DRAWING ARE FOR REFERENCE ONLY		CONTACT TURCK FOR MORE INFORMATION		FILE: 4020470	
4.		MATERIAL SEE SPECIFICATIONS		FINISH SEE SPECIFICATIONS		DO NOT SCALE THIS DRAWING	

C	UPDATE ID NUMBER PER HARMONIZATION PROJECT	CBM	03/26/18	
REV	DESCRIPTION	BY	DATE	ECO NO.