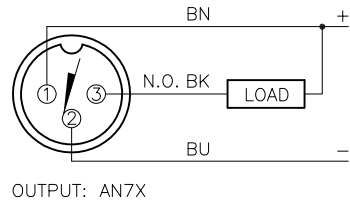
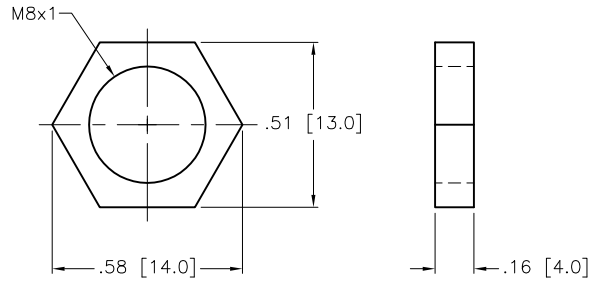


WIRING DIAGRAM



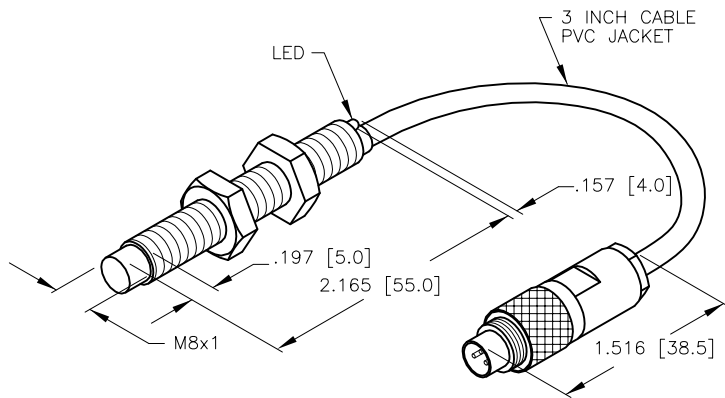
NO SHORT-CIRCUIT PROTECTION
ALWAYS WIRE A LOAD IN SERIES W/THE SENSOR

LOCKNUT LN-P08



SPECIFICATIONS

OPERATING VOLTAGE	10-30 VDC
RIPPLE	10%
HYSTERESIS (DIFFERENTIAL TRAVEL)	1-15% (5% TYPICAL)
VOLTAGE DROP ACROSS CONDUCTING SENSOR	≤ 0.7 V at 150 mA
OUTPUT FUNCTION	NORMALLY OPEN 3-WIRE DC SELF-CONTAINED
TTL COMPATIBLE	YES
SHORT-CIRCUIT PROTECTED	NO
CONTINUOUS LOAD CURRENT	≤ 150 mA
OFF-STATE (LEAKAGE) CURRENT	< 10 μA
NO-LOAD CURRENT	5.5-9.5 mA
TIME DELAY BEFORE AVAILABILITY	≤ 8 ms
POWER-ON EFFECT	Per IEC 947-5-2
REVERSE POLARITY PROTECTION	INCORPORATED
WIRE BREAK PROTECTION	INCORPORATED
TRANSIENTS PROTECTION	1kV, 0.1ms, 1kΩ
OPERATING TEMPERATURE	-25°C to +70°C (-13°F to +158°F)
ENCLOSURE	MEETS NEMA 1, 3, 4, 6, 13 AND IEC IP67
SHOCK	30 g, 11 ms
VIBRATION	55 Hz, 1 mm AMPLITUDE (IN ALL 3 PLANES)
LED FUNCTION	RED: OUTPUT ENERGIZED
RATED OPERATING DISTANCE(Sn)	2 mm = .079: (NOMINAL)
SWITCHING FREQUENCY	2000 Hz
REPEATABILITY	≤ 2% of RATED OPERATING DISTANCE
SHIELDED	NO



SOURCE DRAWING - FOR REFERENCE ONLY

RELATED DOCUMENTS 1. 2. 3. 4.	3RD ANGLE PROJECTION 	THIS DRAWING IS CONFIDENTIAL AND THE PROPERTY OF TURCK INC. USE OF THIS DOCUMENT WITHOUT WRITTEN PERMISSION IS PROHIBITED.		3000 CAMPUS DRIVE MINNEAPOLIS, MN 55441 1-800-544-7769 (763) 553-7300 (763) 553-0708 fax www.turck.us	
	MATERIAL BRASS BARREL	ALL DIMENSIONS DISPLAYED ON THIS DRAWING ARE FOR REFERENCE ONLY	DRFT GMB DATE 04/14/89	DESCRIPTION NI2-G08-AN7X-B7130M 3INCHES	
FINISH COPPER/NICKEL/ CHROME PLATING	CONTACT TURCK FOR MORE INFORMATION		APVD SCALE 1=2.0	UNIT OF MEASUREMENT INCH [MILLIMETER]	
E UPDATE ID NUMBER PER HARMONIZATION PROJECT REV DESCRIPTION	CBM 01/02/18 BY DATE ECO NO.	DO NOT SCALE THIS DRAWING		FILE: 17724	REV E SHEET 1 OF 1

E	UPDATE ID NUMBER PER HARMONIZATION PROJECT	CBM	01/02/18	
REV	DESCRIPTION	BY	DATE	ECO NO.