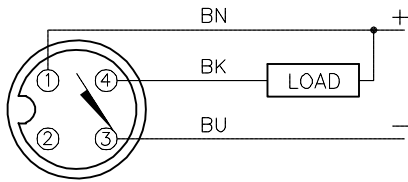


WIRING DIAGRAM

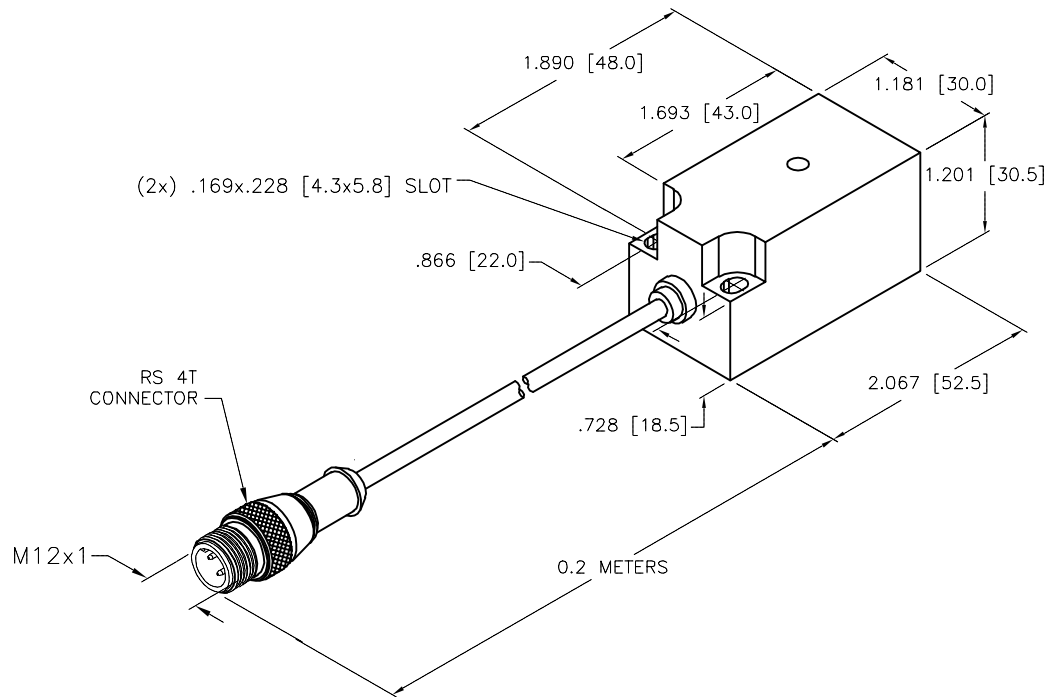


OUTPUT: AN6X

SHORT-CIRCUIT AND OVERLOAD PROTECTED

SPECIFICATIONS

RATED OPERATING DISTANCE	15 mm = .591" (NOMINAL)
MOUNTING MODE	NON-FLUSH
DIFFERENTIAL TRAVEL	3-15%
MIN. REPEAT ACCURACY	≤ 2%
TEMPERATURE DRIFT	≤ ±10%
OPERATING TEMPERATURE	-25°C to +70°C (-13°F to +158°F)
OPERATING VOLTAGE	10-30 VDC
RESIDUAL RIPPLE	≤ 10%
DC RATED OPERATIONAL CURRENT	≤ 200 mA
NO LOAD CURRENT	≤ 15 mA
RESIDUAL CURRENT	≤ 0.1 mA
MAX. SWITCHING FREQUENCY	≤ 2.0 kHz
RATED INSULATION VOLTAGE	≤ 0.5 kV
OUTPUT FUNCTION	3-WIRE, NORMALLY OPEN, NPN
SHORT CIRCUIT PROTECTION	YES
MAX. VOLTAGE DROP	≤ 1.8 V
WIRE-BREAK PROTECTION	INCORPORATED
REVERSE POLARITY PROTECTION	INCORPORATED
HOUSING MATERIAL	PLASTIC, PBT
CABLE JACKET MATERIAL	ø5.2, PVC
VIBRATION RESISTANCE	55 Hz, (1mm) IN ALL 3 PLANES
SHOCK RESISTANCE	30 g, (11 ms)
DEGREE OF PROTECTION	IP67
SWITCHING STATUS INDICATION	LED: YELLOW



SOURCE DRAWING - FOR REFERENCE ONLY

RELATED DOCUMENTS		3RD ANGLE PROJECTION		THIS DRAWING IS CONFIDENTIAL AND THE PROPERTY OF TURCK INC. USE OF THIS DOCUMENT WITHOUT WRITTEN PERMISSION IS PROHIBITED.		 3000 CAMPUS DRIVE MINNEAPOLIS, MN 55441 1-800-544-7769 (763) 553-7300 (763) 553-0708 fax www.turck.us	
1.			ALL DIMENSIONS DISPLAYED ON THIS DRAWING ARE FOR REFERENCE ONLY	DRFT	RDS	DATE	03/16/16
2.				APVD	J.M.	SCALE	1=1.5
3.		UNIT OF MEASUREMENT				DESCRIPTION	
4.		INCH [ MILLIMETER ]				NI15-Q30-AN6X-0.2M-RS4T	
MATERIAL		SEE SPECIFICATIONS		IDENTIFICATION NO.		REV	
FINISH		CONTACT TURCK FOR MORE INFORMATION		4659391		C	
C		UPDATE MOUNTING HOLE DIMENSION		DO NOT SCALE THIS DRAWING		FILE: 4659391	
NF		10/02/18		SHEET 1 OF 1			
REV		DESCRIPTION		ECO NO.			

C	UPDATE MOUNTING HOLE DIMENSION	NF	10/02/18	67044
REV	DESCRIPTION	BY	DATE	ECO NO.