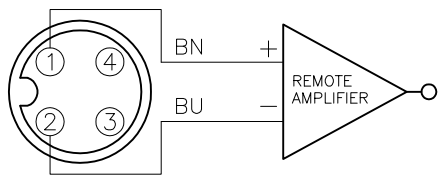
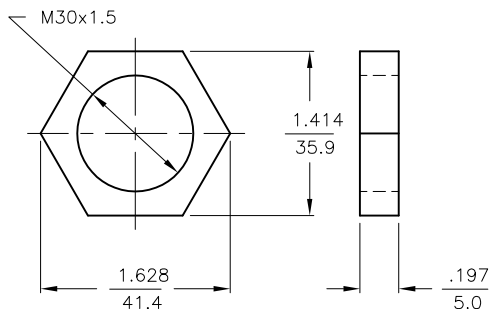


WIRING DIAGRAM



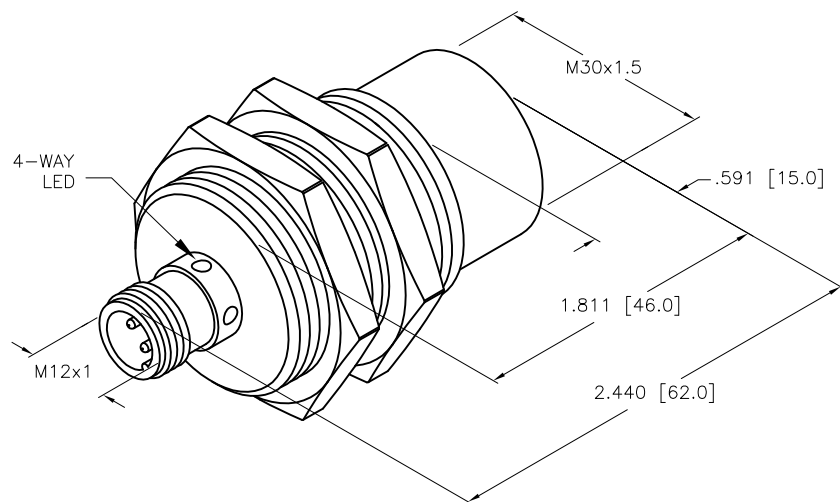
OUTPUT: Y0X

LOCKNUT LN-SS30



SPECIFICATIONS

RATED OPERATING DISTANCE	15mm [.591"]
MOUNTING MODE	FLUSH
HYSTERESIS	1-10%
TEMPERATURE DRIFT	≤ ± 10%
MIN. REPEAT ACCURACY	≤ 2.0%
OPERATING TEMPERATURE	-25°C to +70°C (-13°F to +158°F)
OUTPUT FUNCTION	2-WIRE, NAMUR
OPERATING VOLTAGE	8.2 VDC
NON-ACTUATED CURRENT CONSUMPTION	≥ 2.1 mA
ACTUATED CURRENT CONSUMPTION	≤ 1.2 mA
SWITCHING FREQUENCY	≤ 0.2 kHz
<b>WARNING</b>	WHEN MOUNTED IN AREAS SUBJECT TO DUST HAZARDS, PLEASE ENSURE IMPACT-RESISTANT AND VIBRATION-PROOF INSTALLATION
HOUSING MATERIAL	METAL, A2 1.4301 (AISI 304)
ACTIVE FACE MATERIAL	PLASTIC, PA12-GF30
CONNECTION	M12x1
SHOCK RESISTANCE	30 g, 11 ms
VIBRATION RESISTANCE	55 Hz, 1 mm AMPLITUDE (IN ALL 3 PLANES)
DEGREE OF PROTECTION	IP67
SWITCHING STATUS INDICATION	LED; YELLOW



SOURCE DRAWING - FOR REFERENCE ONLY

RELATED DOCUMENTS 1. 2. 3. 4.	3RD ANGLE PROJECTION 	THIS DRAWING IS CONFIDENTIAL AND THE PROPERTY OF TURCK INC. USE OF THIS DOCUMENT WITHOUT WRITTEN PERMISSION IS PROHIBITED.		3000 CAMPUS DRIVE MINNEAPOLIS, MN 55441 1-800-544-7769 (763) 553-7300 (763) 553-0708 fax www.turck.us	
	MATERIAL	ALL DIMENSIONS DISPLAYED ON THIS DRAWING ARE FOR REFERENCE ONLY	DRFT RDS DATE 08/13/07	DESCRIPTION NI15-EM30-Y0X-H1141	
			APVD AF SCALE 1=1.0		
	FINISH	CONTACT TURCK FOR MORE INFORMATION	UNIT OF MEASUREMENT <b>INCH [ MILLIMETER ]</b>		IDENTIFICATION NO. 1006270
DO NOT SCALE THIS DRAWING		FILE: 1006270		SHEET 1 OF 1	

C	UPDATE ID NUMBER PER HARMONIZATION PROJECT	CBM	03/26/18	
REV	DESCRIPTION	BY	DATE	ECO NO.