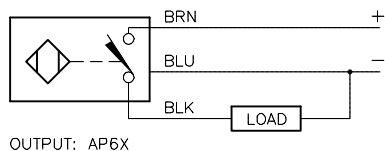


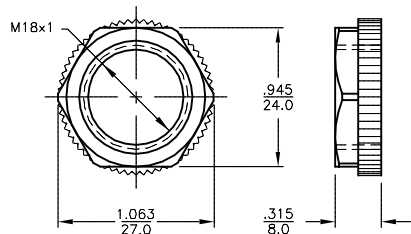
WIRING DIAGRAM



OUTPUT: AP6X

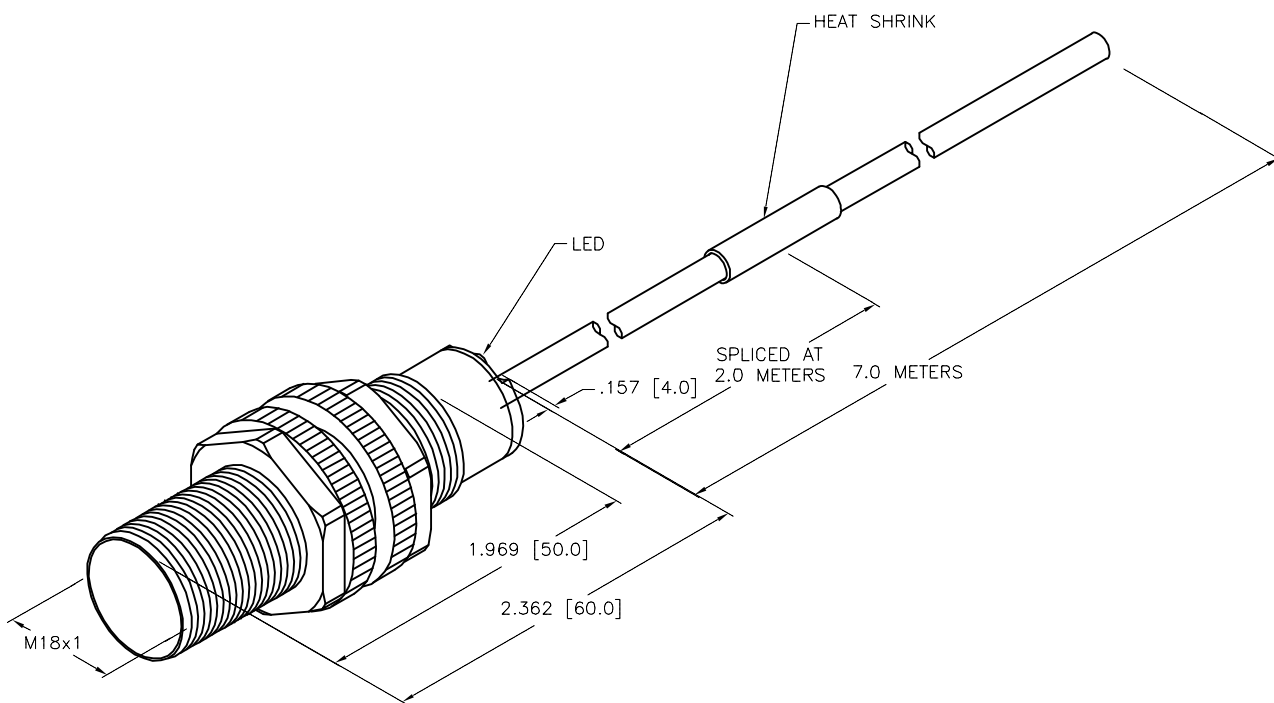
SHORT-CIRCUIT AND OVERLOAD PROTECTED

LOCKNUT LN-P18



SPECIFICATIONS

RATED OPERATING DISTANCE	12mm [0.472"]
MOUNTING MODE	NON-FLUSH
REPEATABILITY	≤2%
TEMPERATURE DRIFT	≤ ±10%
HYSTERESIS	3-15%
OPERATING TEMPERATURE	-30°C to +85°C (-22°F to +185°F)
OPERATING VOLTAGE	10-30 VDC
RESIDUAL RIPPLE	≤10%
DC RATED OPERATIONAL CURRENT	≤ 200mA
NO-LOAD CURRENT	≤ 20 mA
RESIDUAL CURRENT	≤ 1 mA
RATED INSULATION VOLTAGE	≤ 0.5 kV
SHORT-CIRCUIT PROTECTION	YES
MAX. VOLTAGE DROP	≤ 1.8 V
WIRE BREAKAGE PROTECTION	INCORPORATED
REVERSE POLARITY PROTECTION	INCORPORATED
OUTPUT FUNCTION	3-WIRE, NORMALLY OPEN, PNP
MAX. SWITCHING FREQUENCY	≤ 2 kHz
HOUSING MATERIAL	PLASTIC, PA12-GF30
MATERIAL ACTIVE FACE	PLASTIC, PA12-GF30
CABLE	ø5.2, PVC
VIBRATION RESISTANCE	55 Hz (IN ALL 3 PLANES)
SHOCK RESISTANCE	30g (11ms)
PROTECTION CLASS	IP68
SWITCHING STATUS INDICATION	LED, YELLOW



SOURCE DRAWING - FOR REFERENCE ONLY

RELATED DOCUMENTS 1. 2. 3. 4.	3RD ANGLE PROJECTION 	THIS DRAWING IS CONFIDENTIAL AND THE PROPERTY OF TURCK INC. USE OF THIS DOCUMENT WITHOUT WRITTEN PERMISSION IS PROHIBITED.		3000 CAMPUS DRIVE MINNEAPOLIS, MN 55441 1-800-544-7769 (763) 553-7300 (763) 553-0708 fax www.turck.us	
	MATERIAL SEE SPECIFICATION	ALL DIMENSIONS DISPLAYED ON THIS DRAWING ARE FOR REFERENCE ONLY	DRFT RDS DATE 01/25/18	DESCRIPTION NI12U-S18-AP6X 7M SPLICED	
	FINISH SEE SPECIFICATION		APVD A.F. SCALE 1=1.0	IDENTIFICATION NO. 1645590	
	CONTACT TURCK FOR MORE INFORMATION		UNIT OF MEASUREMENT INCH [MILLIMETER]		REV A
DO NOT SCALE THIS DRAWING		FILE: 1645590		SHEET 1 OF 1	

A	DRAWING RELEASE	RDS	01/25/18	
REV	DESCRIPTION	BY	DATE	ECO NO.