

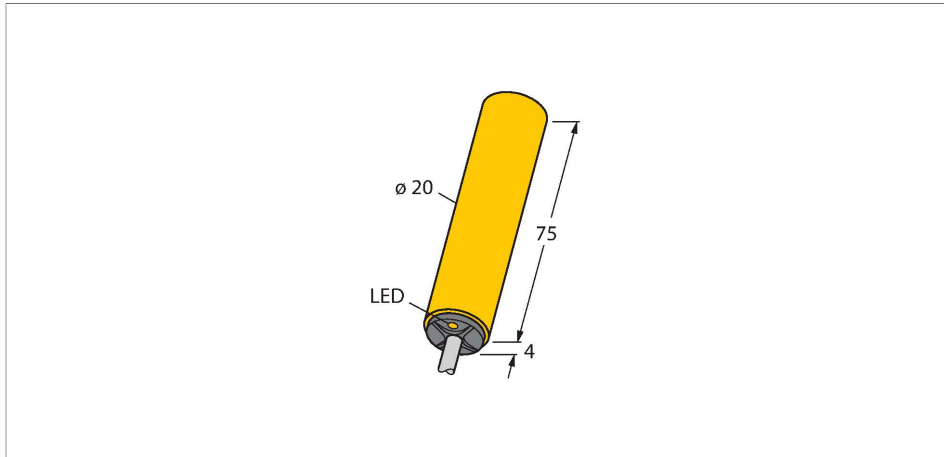
NI10-K20-AP6X/S145 10M Inductive Sensor

Features

- Smooth barrel, Ø 20 mm
- Plastic, PBT-GF30-V0

Functional principle

Inductive sensors detect metal objects contactless and wear-free. For this, they use a high-frequency electromagnetic AC field that interacts with the target. Inductive sensors generate this field via an RLC circuit with a ferrite coil.



Technical data

Type	NI10-K20-AP6X/S145 10M
ID	16500
Special version	S145 Corresponds to:Former housing style (former housing length)
General data	
Rated switching distance	10 mm
Mounting conditions	Non-flush
Secured operating distance	≤ (0.81 × Sn) mm
Correction factors	St37 = 1; Al = 0.3; stainless steel = 0.7; Ms = 0.4
Electrical data	
Switching frequency	1 kHz
Mechanical data	
Design	Smooth barrel, 20 mm
Dimensions	79 mm
Housing material	Plastic, PBT-GF30-V0
Active area material	Plastic, PBT-GF30-V0
End cap	Plastic, EPTR
Cable quality	Ø 5.2 mm, LifYY, PVC, 10 m
Core cross-section	3 x 0.34 mm ²
Environmental conditions	
Ambient temperature	-25...+70 °C
Protection class	IP67
MTTF	2283 years acc. to SN 29500 (Ed. 99) 40 °C

Technical data

Switching state	LED, Yellow
Included in delivery	BS20

Mounting instructions

Mounting instructions/Description		
	Distance D	3 x B
	Distance W	3 x Sn
	Distance T	3 x B
	Distance S	1.5 x B
	Distance G	6 x Sn
	Distance N	2 x Sn
	Diameter active area B	Ø 20 mm

Accessories

BS 20	69464
-------	-------

Fixing clamp; material mounting block: PBT

