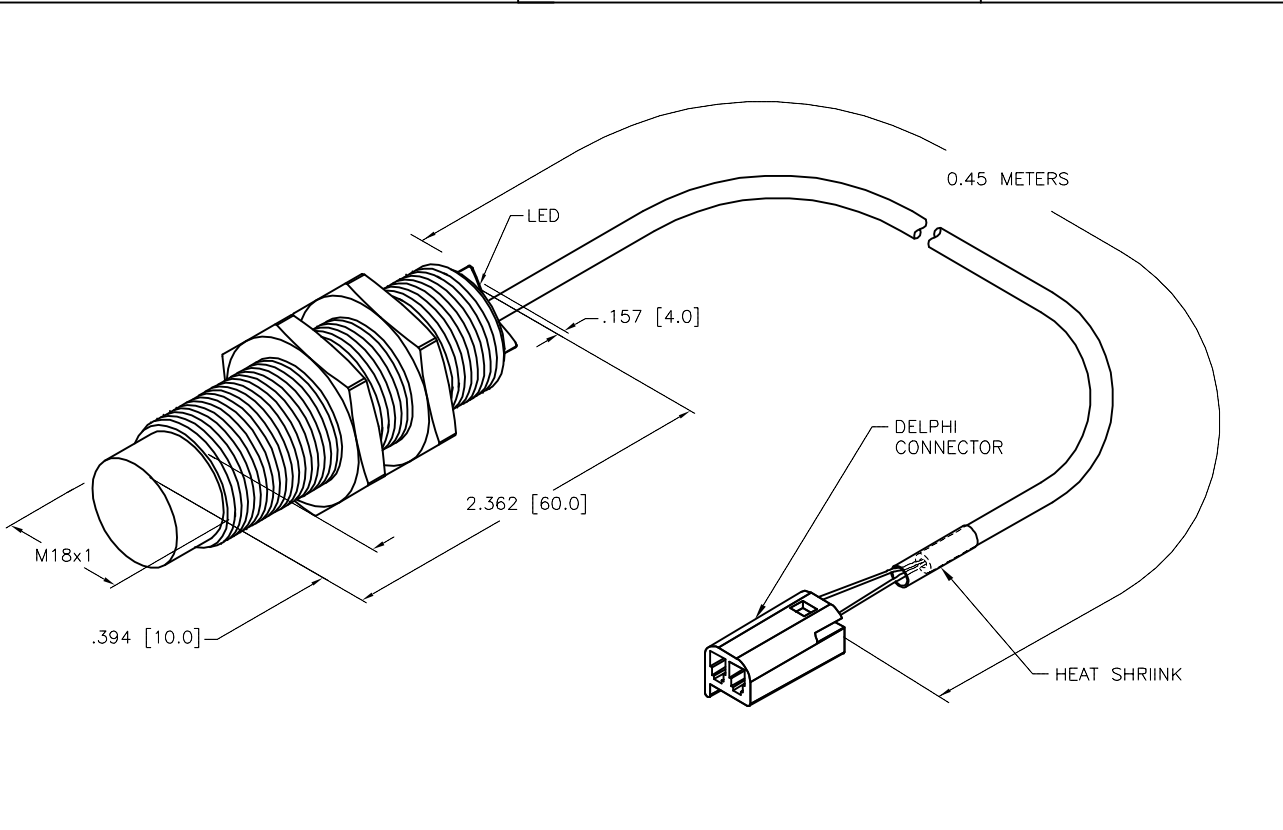


SPECIFICATIONS	
OPERATING VOLTAGE	20-250 VAC, 10-300 VDC
LINE FREQUENCY	40-60 Hz
DIFFERENTIAL TRAVEL (HYSTERESIS)	3-15% (5% TYPICAL)
VOLTAGE DROP ACROSS CONDUCTING SENSOR	<7.0 V at FULL RATED CURRENT
OUTPUT FUNCTION	NORMALLY CLOSED 2-WIRE AC/DC
SHORT-CIRCUIT PROTECTED	NO
CONTINUOUS LOAD CURRENT	AC: ≤ 400 mA; DC: ≤ 300 mA
OFF-STATE (LEAKAGE) CURRENT	<1.7 mA
MINIMUM LOAD CURRENT	≥ 5.0 mA
INRUSH CURRENT	≤ 8.0 A (≤10 ms, 5% DUTY CYCLE)
TIME DELAY BEFORE AVAILABILITY	≤ 25 ms
POWER-ON EFFECT	Per IEC 947-5-2
TRANSIENT PROTECTION	Per EN 60947-5-2
OPERATING TEMPERATURE	-25°C to +70°C (-13°F to +158°F)
ENCLOSURE	MEETS NEMA 1, 3, 4, 6, 13 AND IEC IP67
SHOCK	30 g, 11 ms
VIBRATION	55 Hz, 1 mm AMPLITUDE (IN ALL 3 PLANES)
LED FUNCTION	RED: OUTPUT ENERGIZED
RATED OPERATING DISTANCE(S _n)	10 mm = .394" (NOMINAL)
SWITCHING FREQUENCY	20 Hz
REPEATABILITY	≤ 2% OF RATED OPERATING DISTANCE
EMBEDDABLE (SHIELDED)	NO
HOUSING MATERIAL	METAL, BRASS, CHROME-PLATED



SOURCE DRAWING - FOR REFERENCE ONLY

NOTE:
1. "/CS12348" DESIGNATES CABLE LENGTH 0.45M. DELPHI CONNECTOR: 12047662, TERMINALS: 12047767, LOCK WEDGE:15324070 PINOUT: A=BROWN, B=BLUE. SHRINK TUBE ADDED COVERING EXPOSED WIRES.

RELATED DOCUMENTS 1. 2. 3. 4.	3RD ANGLE PROJECTION 	THIS DRAWING IS CONFIDENTIAL AND THE PROPERTY OF TURCK INC. USE OF THIS DOCUMENT WITHOUT WRITTEN PERMISSION IS PROHIBITED.		3000 CAMPUS DRIVE MINNEAPOLIS, MN 55441 1-800-544-7769 (763) 553-7300 (763) 553-0708 fax www.turck.us	
	MATERIAL SEE SPECS	DRFT RDS APVD	DATE 04/10/09 SCALE 1=1.0	DESCRIPTION NI10-G18-RZ3X/CS12348	
FINISH	UNIT OF MEASUREMENT INCH [MILLIMETER]	CONTACT TURCK FOR MORE INFORMATION		IDENTIFICATION NO. 4330789	REV C
C UPDATE DESCRIPTION	RDS 06/20/19	500000000149		DO NOT SCALE THIS DRAWING	FILE: 4330789
REV DESCRIPTION	BY	DATE	ECO NO.	SHEET 1 OF 1	