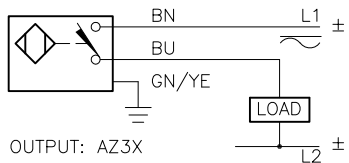
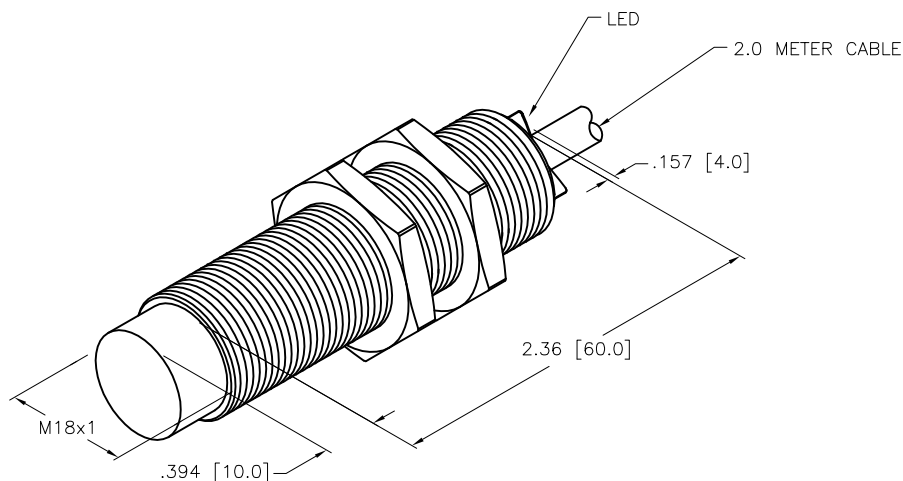


WIRING DIAGRAM



NO SHORT-CIRCUIT PROTECTION.
ALWAYS WIRE A LOAD IN SERIES WITH THE SENSOR.



SPECIFICATIONS

OPERATING VOLTAGE	20-250 VAC, 10-300 VDC
LINE FREQUENCY	40-60 Hz
DIFFERENTIAL TRAVEL (HYSTERESIS)	3-15% (5% TYPICAL)
VOLTAGE DROP ACROSS CONDUCTING SENSOR	<7.0 V at FULL RATED CURRENT
OUTPUT FUNCTION	NORMALLY OPEN 2-WIRE AC/DC
SHORT-CIRCUIT PROTECTED	NO
CONTINUOUS LOAD CURRENT	AC: ≤400 mA; DC: ≤300 mA
OFF-STATE (LEAKAGE) CURRENT	<1.7 mA
MINIMUM LOAD CURRENT	≥ 5.0 mA
INRUSH CURRENT	≤ 8.0 A (≤10 ms, 5% DUTY CYCLE)
TIME DELAY BEFORE AVAILABILITY	≤ 25 ms
POWER-ON EFFECT	Per IEC 947-5-2
TRANSIENT PROTECTION	Per EN 60947-5-2
OPERATING TEMPERATURE	-25°C to +70°C (-13°F to +158°F)
ENCLOSURE	MEETS NEMA 1, 3, 4, 6, 13 AND IEC IP67
SHOCK	30 g, 11 ms
VIBRATION	55 Hz, 1 mm AMPLITUDE (IN ALL 3 PLANES)
LED FUNCTION	RED: OUTPUT ENERGIZED
RATED OPERATING DISTANCE(Sn)	10 mm = .394" (NOMINAL)
SWITCHING FREQUENCY	20 Hz
REPEATABILITY	≤ 2% OF RATED OPERATING DISTANCE
EMBEDDABLE (SHIELDED)	NO
LOCKNUT M18x1	24.0 mm AF, 27.5 mm AC, 4.0 mm THK

SOURCE DRAWING - FOR REFERENCE ONLY

NOTE:

- MATERIALS:
 BARREL - STAINLESS STEEL
 LOCKNUTS - STAINLESS STEEL
 SENSING FACE - PA12-GF30 PLASTIC
 END CAP - TPE-0 ELASTOMER
- "/S1023" DESIGNATES WET/WASHDOWN APPLICATIONS. LENSED LEDS AND SERPENTINE FULLY POTTED INTERNAL CABLE.

RELATED DOCUMENTS 1. 2. 3. 4.	3RD ANGLE PROJECTION 	THIS DRAWING IS CONFIDENTIAL AND THE PROPERTY OF TURCK INC. USE OF THIS DOCUMENT WITHOUT WRITTEN PERMISSION IS PROHIBITED.		3000 CAMPUS DRIVE MINNEAPOLIS, MN 55441 1-800-544-7769 (763) 553-7300 (763) 553-0708 fax www.turck.us		
	MATERIAL SEE NOTES	DRFT RDS APVD SD	DATE 02/05/08 SCALE 1=1.0	DESCRIPTION NI10-EG18-AZ3X/S1023		
FINISH	ALL DIMENSIONS DISPLAYED ON THIS DRAWING ARE FOR REFERENCE ONLY	UNIT OF MEASUREMENT INCH [MILLIMETER]		IDENTIFICATION NO. 4330589	REV C	
C	UPDATE ID NUMBER PER HARMONIZATION PROJECT	CBM	11/06/17			
REV	DESCRIPTION	BY	DATE	ECO NO.		
				DO NOT SCALE THIS DRAWING	FILE: 4330589	SHEET 1 OF 1