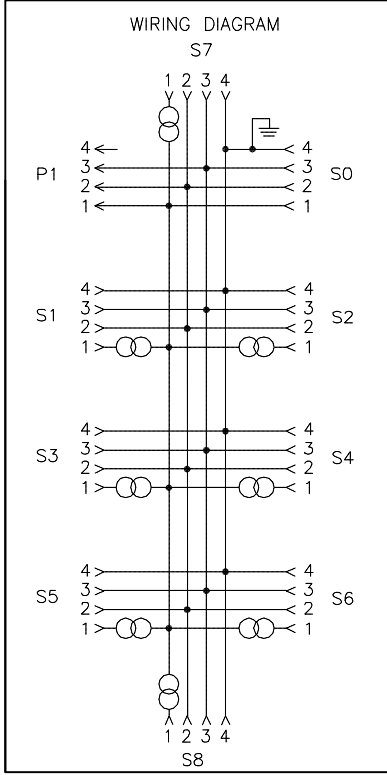
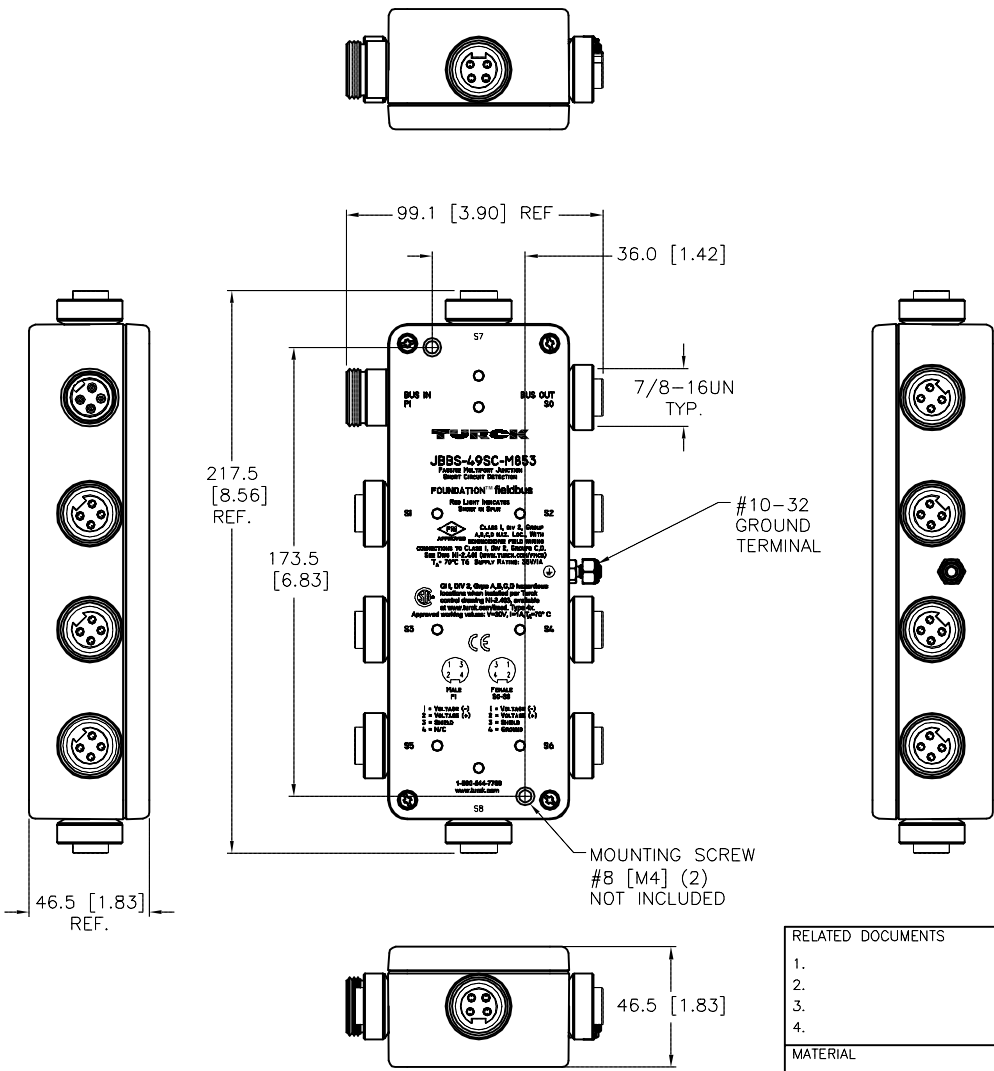
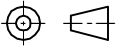


SPECIFICATIONS	
HOUSING MATERIAL/FINISH	STAINLESS STEEL/ELECTRO-POLISHED
RECEPTACLE HOUSING MAT'L/FINISH	STAINLESS STEEL/PASSIVATED
CONTACT CARRIERS/COLOR	TPU/BLACK
CONTACT MATERIAL/PLATING	BRASS/GOLD
OPERATING VOLTAGE	9-32 VDC
SHORT CIRCUIT PROTECTION	0.55 VDC @ 55mA, 0.20 VDC @ 20mA
CURRENT CONSUMPTION	5.0 mA
OPEN CIRCUIT VOLTAGE	33 VDC
PROTECTION CLASS to DIN 40050	IP 67 - ONLY WHEN ALL RECEPTACLES ARE COVERED WITH PLUGS OR CONNECTED
OPERATING TEMPERATURE	-40°C to +70°C (-40°F to +158°F)



SOURCE DRAWING - FOR REFERENCE ONLY

B	UPDATE HOUSING FINISH	RDS	02/01/13	41139
REV	DESCRIPTION	BY	DATE	ECO NO.

RELATED DOCUMENTS 1. 2. 3. 4.	3RD ANGLE PROJECTION 	THIS DRAWING IS CONFIDENTIAL AND THE PROPERTY OF TURCK INC. USE OF THIS DOCUMENT WITHOUT WRITTEN PERMISSION IS PROHIBITED.		3000 CAMPUS DRIVE MINNEAPOLIS, MN 55441 1-800-544-7769 (763) 553-7300 (763) 553-0708 fax turck.com	
	MATERIAL	DRFT *CK	DATE 06/16/10	DESCRIPTION JBBS-49SC-M853	
FINISH	ALL DIMENSIONS DISPLAYED ON THIS DRAWING ARE FOR REFERENCE ONLY CONTACT TURCK FOR MORE INFORMATION	APVD	SCALE 1=3.0	IDENTIFICATION NO. U3-10868	
		UNIT OF MEASUREMENT MILLIMETER [INCH]		REV B	
DO NOT SCALE THIS DRAWING			FILE: U3-10868	SHEET 1 OF 1	