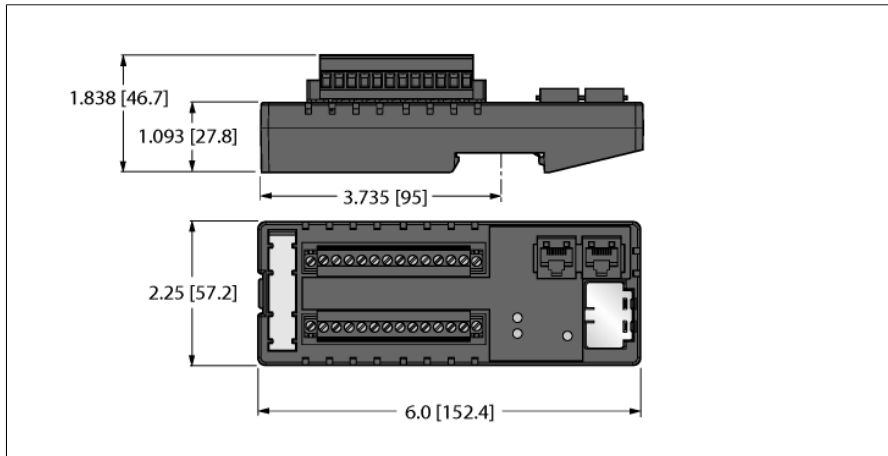


Compact IP20 Multiprotocol Ethernet I/O Station
16 Configurable Digital PNP Channels
FEN20-16DXP/CS30149



- EtherNet/IP™ Slave
- Modbus TCP Slave
- PROFINET Slave
- Integrated Ethernet Switch
- 10 Mbps / 100 Mbps supported
- 2 x RJ45 Sockets for Fieldbus Connection
- 3 I/O power supply groups each galvanically separated
- 16 configurable PNP channels, DI or DO
- 24 VDC
- Up to 1 A outputs
- Degree of protection IP20

Type designation	FEN20-16DXP/CS30149
Ident-No.	U2-32280
<hr/>	
Number of channels	16
Operating / load voltage	12...30 VDC
Operating current	100 mA
Electrical isolation	500V Galvanic Zone-Zone and Zone-Ethernet
Supply voltage	24 VDC
Power dissipation, typical	≤ 2.4 W
Voltage supply connection	pluggable screw terminal strip
<hr/>	
Inputs	
Number of channels	16
Input voltage	24 VDC
Supply current	700 mA
Switching threshold	10V / 2mA
Low level signal voltage	< 9 VDC
High level signal voltage	11...30 VDC
Low level signal current	< 1.5 mA
High level signal current	> 2.5 mA
Input delay	2.5 ms
Max. input current	6 mA
<hr/>	
Outputs	
Number of channels	16
Output voltage	12...30 VDC, short-circuit proof
Output current per channel	@70°C: 0.5A (8A Overall) or 0.75A (6A Overall) @50°C: 0.75A (12A Overall) or 1A (8A Overall)
Load type	Resistive, Inductive, Lamp Load
Short-circuit protection	yes
<hr/>	
System data	
Transmission rate	10/100 Mbps; Full/Half Duplex; Auto Negotiation; Auto Crossing
Addressing modes Ethernet:	via Coded Rotary Switch
Connection technology Ethernet	2 x RJ45 Sockets
Protocol detection	automatic
Web server	192.168.1.254 (Default)
Service interface	Ethernet
Device Reset	via Rotary Switch
<hr/>	
Modbus TCP	
Addressing	Static IP, BOOTP, DHCP
Supported function codes	FC1, FC2, FC3, FC4, FC5, FC6, FC15, FC16, FC23
Number of TCP connections	6
Input Data Size	max. 1 register
Input register start address	0 (0x0000 hex)
Output Data Size	max. 1 register
Output register start address	2048 (0x0800 hex)

Compact IP20 Multiprotocol Ethernet I/O Station

16 Configurable Digital PNP Channels

FEN20-16DXP/CS30149

TURCK
works

Industrial
Automation

EtherNet/IP™

Addressing	acc. to EtherNet/IP™ specification
Quick Connect (QC)	< 150 ms
Device Level Ring (DLR)	supported
Class 1 connections	6

PROFINET

Addressing	DCP
Conformance class	B (RT)
MinCycleTime	1 ms
Fast Start-Up (FSU)	< 150 ms
Diagnostics	acc. to PROFINET alarm handling
Topology detection	supported
Automatic addressing	supported

Dimensions (W x L x H)

Housing material	57.1 x 152.2 x 46.7mm
Operating temperature	Fiber-glass reinforced Polyamide (PA6-GF30)
Storage temperature	-40...70 °C
Protection class	-40...85 °C
Approvals	IP20
	CE, cULus

Compact IP20 Multiprotocol Ethernet I/O Station
16 Configurable Digital PNP Channels
FEN20-16DXP/CS30149



Module LED Status

LED	Color	Status	Description
ETH1 / ETH2	Green	ON	Ethernet Link (100 Mbps)
		Flashing	Ethernet communication (100 Mbps)
	yellow	ON	Ethernet Link (10 Mbps)
		Flashing	Ethernet communication (10 Mbps)
		OFF	No Ethernet link
BUS	Green	ON	Active connection to a master
		Flashing	Ready
	Red	ON	IP address conflict or status word is active
		Flashing	Blink/Wink command active
		OFF	Power off
ERR	Green	ON	Diagnostics disabled
	Red	ON	Short-circuit
I/O 0 – I/O 15	Green	ON	Input/Output: Active
		OFF	Input/Output: Inactive

Compact IP20 Multiprotocol Ethernet I/O Station
16 Configurable Digital PNP Channels
FEN20-16DXP/CS30149



Industrial
Automation

Process Data Mapping

Modbus TCP Register Mapping

	Reg	Bit 15	Bit 14	Bit 13	Bit 12	Bit 11	Bit 10	Bit 9	Bit 8	Bit 7	Bit 6	Bit 5	Bit 4	Bit 3	Bit 2	Bit 1	Bit 0
Inputs (RO)	0x0000	DI15	DI14	DI13	DI12	DI11	DI10	DI9	DI8	DI7	DI6	DI5	DI4	DI3	DI2	DI1	DI0
Status (RO)	0x0001	-	FCE	-	-	CFG	COM	V1 low	-	-	-	-	-	-	-	-	Diag Warn
Diag (RO)	0x0002	-	-	-	-	-	-	-	-	-	-	-	-	-	-	-	I/O Diag
Outputs (RW)	0x0800	DO15	DO14	DO13	DO12	DO11	DO10	DO9	DO8	DO7	DO6	DO5	DO4	DO3	DO2	DO1	DO0
I/O Diag (RO)	0xA000	SCO7	SCO6	SCO5	SCO4	SCO3	SCO2	SCO1	SCO0	-	-	-	-	-	-	-	IGS
I/O Diag (RO)	0xA001	-	-	-	-	-	-	-	-	SCO15	SCO14	SCO13	SCO12	SCO11	SCO10	SCO9	SCO8

EtherNet/IP™ Data Mapping

INPUT	Word	Bit 15	Bit 14	Bit 13	Bit 12	Bit 11	Bit 10	Bit 9	Bit 8	Bit 7	Bit 6	Bit 5	Bit 4	Bit 3	Bit 2	Bit 1	Bit 0
	0	-	FCE	-	-	CFG	COM	V1 low	-	-	-	-	-	-	-	-	Diag Warn
	1	DI15	DI14	DI13	DI12	DI11	DI10	DI9	DI8	DI7	DI6	DI5	DI4	DI3	DI2	DI1	DI0
	2	-	-	Sched Diag	-	-	-	-	-	-	-	-	-	-	-	-	I/O Diag
	3	SCO7	SCO6	SCO5	SCO4	SCO3	SCO2	SCO1	SCO0	-	-	-	-	-	-	-	IGS
	4	-	-	-	-	-	-	-	-	SCO15	SCO14	SCO13	SCO12	SCO11	SCO10	SCO9	SCO8
OUTPUT	Word	Bit 15	Bit 14	Bit 13	Bit 12	Bit 11	Bit 10	Bit 9	Bit 8	Bit 7	Bit 6	Bit 5	Bit 4	Bit 3	Bit 2	Bit 1	Bit 0
	0	-	-	-	-	-	-	-	-	-	-	-	-	-	-	-	-
	1	DO15	DO14	DO13	DO12	DO11	DO10	DO9	DO8	DO7	DO6	DO5	DO4	DO3	DO2	DO1	DO0

PROFINET Process Data

	Byte	Bit 7	Bit 6	Bit 5	Bit 4	Bit 3	Bit 2	Bit 1	Bit 0
Inputs	0	DI7	DI6	DI5	DI4	DI3	DI2	DI1	DI0
	1	DI15	DI14	DI13	DI12	DI11	DI10	DI9	DI8
Outputs	0	DO7	DO6	DO5	DO4	DO3	DO2	DO1	DO0
	1	DO15	DO14	DO13	DO12	DO11	DO10	DO9	DO8

Key:

DIx	Digital input x	COM	Communication error on internal module bus
DOx	Digital output x	CFG	I/O configuration error
IGS	Input group short-circuit	FCE	I/O-ASSISTANT Force Mode active
SCOx	Short-circuit output x	I/O Diag	I/O diagnostic detected
Diag Warn	Diagnostic at least on 1 channel	Sched Diag	Manufacturer-specific diagnostics configured and active
V1 low	Undervoltage V1	-	-