
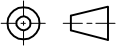


SOURCE DRAWING - FOR REFERENCE ONLY

RELATED DOCUMENTS		3RD ANGLE PROJECTION		THIS DRAWING IS CONFIDENTIAL AND THE PROPERTY OF TURCK INC. USE OF THIS DOCUMENT WITHOUT WRITTEN PERMISSION IS PROHIBITED.		 <p>3000 CAMPUS DRIVE MINNEAPOLIS, MN 55441 1-800-544-7769 (763) 553-7300 (763) 553-0708 fax www.turck.us</p>	
1.			DRFT	RDS	DATE	04/15/19	DESCRIPTION FEN20-16DXP-PCB
2.			APVD	M.F.	SCALE	1=1.5	
3.		ALL DIMENSIONS DISPLAYED ON THIS DRAWING ARE FOR REFERENCE ONLY CONTACT TURCK FOR MORE INFORMATION	UNIT OF MEASUREMENT		IDENTIFICATION NO.		REV
4.			MILLIMETER [INCH]		6884512		A
MATERIAL		DO NOT SCALE THIS DRAWING		FILE: 6884512		SHEET 1 OF 1	
FINISH							

A	DRAWING RELEASE	TR	04/15/19	
REV	DESCRIPTION	BY	DATE	ECO NO.