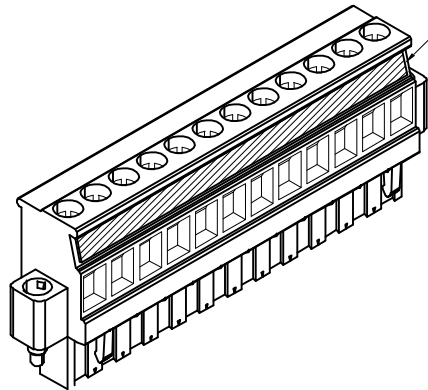
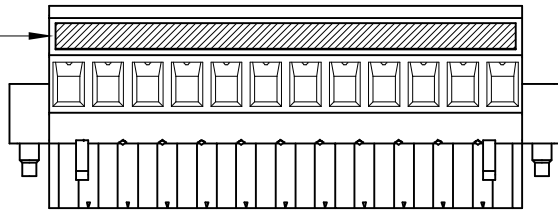


LABEL "A" DETAIL

Vout+ 0,7A	Vout- 0,7A	VI+	VI-	I/O ₀	I/O ₁	I/O ₂	I/O ₃	I/O ₄	I/O ₅	I/O ₆	I/O ₇
---------------	---------------	-----	-----	------------------	------------------	------------------	------------------	------------------	------------------	------------------	------------------

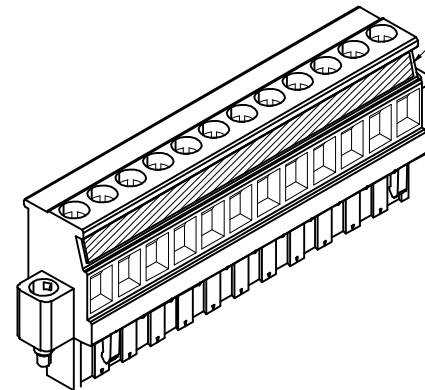
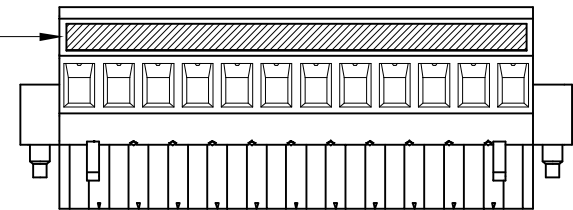


APPLY LABEL "A"

LEFT SIDE 12 PIN
CONNECTOR ASSEMBLY
(QTY. 10)

LABEL "B" DETAIL

I/O ₁₅	I/O ₁₄	AUX- V3-	AUX+ V3+	I/O ₁₃	I/O ₁₂	I/O ₁₁	I/O ₁₀	I/O ₉	I/O ₈	AUX- V2-	AUX+ V2+
-------------------	-------------------	-------------	-------------	-------------------	-------------------	-------------------	-------------------	------------------	------------------	-------------	-------------




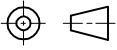
APPLY LABEL "B"

RIGHT SIDE 12 PIN
CONNECTOR ASSEMBLY
(QTY. 10)

SOURCE DRAWING - FOR REFERENCE ONLY

NOTES:

1. THIS KIT CONTAINS QTY. 10 OF THE LEFT SIDE 12-PIN CONNECTOR ASSEMBLIES AND A QTY. 10 OF THE RIGHT SIDE 12-PIN CONNECTOR ASSEMBLIES BULK PACKAGED.

RELATED DOCUMENTS		3RD ANGLE PROJECTION		THIS DRAWING IS CONFIDENTIAL AND THE PROPERTY OF TURCK INC. USE OF THIS DOCUMENT WITHOUT WRITTEN PERMISSION IS PROHIBITED.				3000 CAMPUS DRIVE MINNEAPOLIS, MN 55441 1-800-544-7769 (763) 553-7300 (763) 553-0708 fax www.turck.us	
1. 2. 3. 4.				DRFT RDS DATE 03/16/17		DESCRIPTION		FEN20-16DXP-CONNECTOR-RL (10/PACK)	
MATERIAL		SEE SPECIFICATIONS		APVD M.F.		SCALE 1=1.0		UNIT OF MEASUREMENT	
FINISH		SEE SPECIFICATIONS		CONTACT TURCK FOR MORE INFORMATION		MILLIMETER [INCH]		IDENTIFICATION NO.	
C UPDATE LABELS		TR 10/25/21		77134		DO NOT SCALE THIS DRAWING		U2-28695	
REV DESCRIPTION		BY DATE		ECO NO.		FILE: U2-28695		REV C	
								SHEET 1 OF 1	