

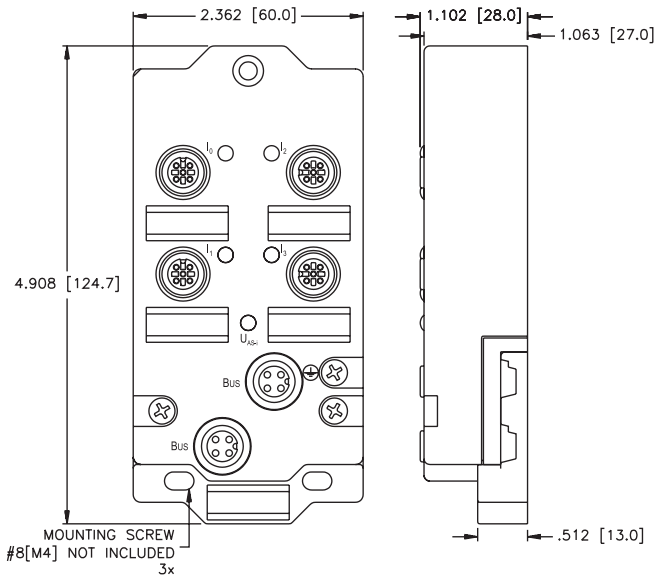


This module has four input connectors. Each connector provides one input. The LED at each input point turns green when the input is on. Inputs are protected against short-circuit as a group. If any input has shorted, the entire group of inputs are disconnected from bus power.

The PLC is informed of short conditions via the AS-i peripheral fault bit. The fault bit indicates that all of the inputs are no longer powered.

The node address can be set using an AS-i handheld addressing tool or via software through the AS-i master.

Dimensions



Integrated Design

- AS-interface station
- Four input connectors

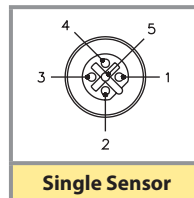
Applications

- For wet and dry environments
- For use with four 3-wire discrete sensors

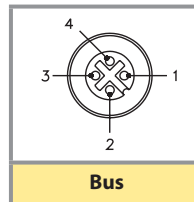
Features

- PNP short-circuit protected inputs
- Glass filled nylon with nickel plated brass connectors

<p>Type "S"</p> <p>Style: 5-pin <i>euromast</i>®</p> <p>Cordset: Single Sensor use RK 4.4T-*RS 4.4T</p> <p>Field Wireable: Single Sensor use BS 8141-0</p>	<p>1 = V+</p> <p>2 = N/C</p> <p>3 = V-</p> <p>4 = Input</p> <p>5 = PE</p>
--	---



<p>Type "AS-interface"</p> <p>Style: 4-pin <i>euromast</i>®</p> <p>Cordset: Bus Line use RSC 254-*M (Right Angle: WSC 254-*M/C1251)</p> <p>Field Wireable: Bus Line use BS 8141-0/PG 9/ASI</p> <p>* Also supports standard flat AS-i cable</p>	<p>1 = V+</p> <p>2 = N/C</p> <p>3 = V-</p> <p>4 = N/C</p>
--	---



Module Specifications

Electrical

Operating Voltage	18-31 Volts (from AS-i Network)
Internal Current Consumption	70 mA plus sum of sensor current (from AS-i Network)

Input Circuits

Input Short-Circuit (V+)	180 mA (total, short-circuit protected)
Input Signal State	Off <2 mA On = 3.0 - 3.4 mA
Input Delay	2.5 ms

LED Indications

I/O LED	Off = Off Green = On
AS-i Network	Off = Off Green = Ok Red/Green = Fault

Device Address

Address Adjustment	1A - 31A, 1B - 31B (v2.1)
--------------------	---------------------------

Mechanical

Material	Glass filled nylon w/ nickel plated brass connectors
Operating Temperature	-25° to +70°C
Protection	IP 67

I/O Data	D3	D2	D1	D0	IO Code 0 ID Code A ID2 Code E
	I3	I2	I1	I0	
Parameter Group	P3	P2	P1	P0	
	Not Used	Not Used	Not Used	IGS Enable	

Current parameter P0 represents IGS. Input faults are reported via the AS-i peripheral fault bit.