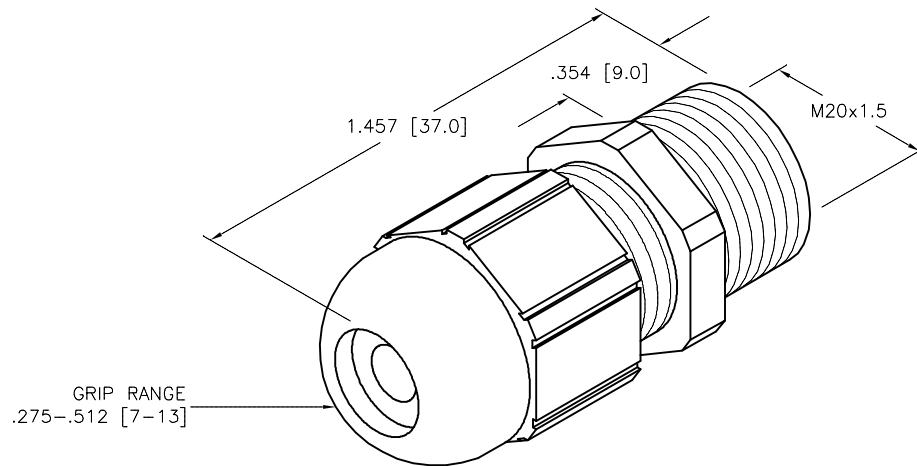


SPECIFICATIONS

BODY MATERIAL/COLOR	POLYAMIDE/GREY
TEMPERATURE RATING	-40°C to +100°C (-40°F to +212°F)
PROTECTION CLASS	IEC IP68



SOURCE DRAWING - FOR REFERENCE ONLY

RELATED DOCUMENTS		3RD ANGLE PROJECTION		THIS DRAWING IS CONFIDENTIAL AND THE PROPERTY OF TURCK INC. USE OF THIS DOCUMENT WITHOUT WRITTEN PERMISSION IS PROHIBITED.		3000 CAMPUS DRIVE MINNEAPOLIS, MN 55441 1-800-544-7769 (763) 553-7300 (763) 553-0708 fax www.turck.us	
1. 2. 3. 4.				DRFT JBJ DATE 05/06/04 DSGN SCALE 1=1.0		<b>TURCK</b> DESCRIPTION CABLE GLAND M20	
MATERIAL  SEE SPECIFICATIONS		ALL DIMENSIONS DISPLAYED ON THIS DRAWING ARE FOR REFERENCE ONLY		UNIT OF MEASUREMENT <b>INCH [ MILLIMETER ]</b>		IDENTIFICATION NO. A0936	
FINISH  SEE SPECIFICATIONS		CONTACT TURCK FOR MORE INFORMATION		DO NOT SCALE THIS DRAWING		REV B	
B	CONVERT DRAWING TO TURCK FORMAT	CBM	09/14/04	11971			
REV	DESCRIPTION	BY	DATE	ECO NO.	FILE: A0936	SHEET 1 OF 1	