
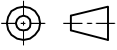


SOURCE DRAWING - FOR REFERENCE ONLY

|  |  |   |  |  |  |   |  |
|--|--|---|--|--|--|---|--|
| RELATED DOCUMENTS                            |  | 3RD ANGLE PROJECTION  |  | THIS DRAWING IS CONFIDENTIAL AND THE PROPERTY OF TURCK INC. USE OF THIS DOCUMENT WITHOUT WRITTEN PERMISSION IS PROHIBITED. |  | <br>3000 CAMPUS DRIVE<br>MINNEAPOLIS, MN 55441<br>1-800-544-7769<br>(763) 553-7300<br>(763) 553-0708 fax<br>www.turck.us |  |
| 1.   |  |                      |  | DRFT RDS   |  | DATE 11/29/07   |  |
| 2.   |  |   |  | APVD MH  |  | SCALE 1=1.0   |  |
| 3.   |  | ALL DIMENSIONS DISPLAYED ON THIS DRAWING ARE FOR REFERENCE ONLY<br><br>CONTACT TURCK FOR MORE INFORMATION |  | UNIT OF MEASUREMENT  |  | DESCRIPTION   |  |
| 4.   |  |   |  | MILLIMETERS  |  | BTS-DS20-KEY/S1763  |  |
| MATERIAL                                     |  | PLASTIC   |  | IDENTIFICATION NO.   |  | REV   |  |
| FINISH                                       |  | BLACK   |  | 2690046  |  | B   |  |
| B UPDATE ID NUMBER PER HARMONIZATION PROJECT |  | CBM 12/20/17  |  | DO NOT SCALE THIS DRAWING  |  | FILE: 2690046   |  |
| REV DESCRIPTION                              |  | BY DATE ECO NO.   |  |  |  | SHEET 1 OF 1  |  |