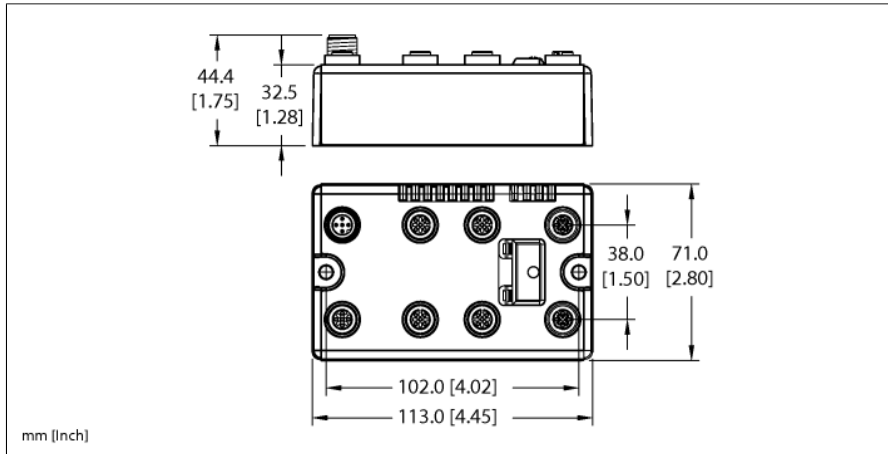


BL Compact Fieldbus Station for EtherCAT 8 Digital NPN Outputs BLCEC-4M12MT-8DO-0.5A-N

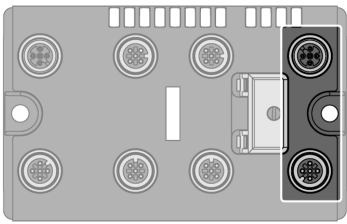
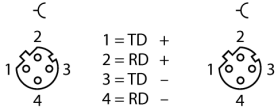
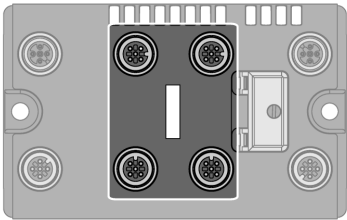
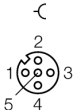
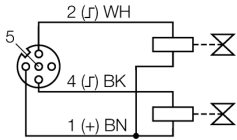
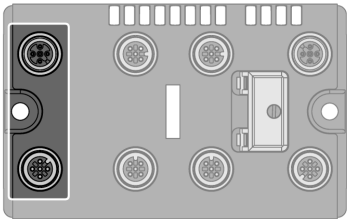
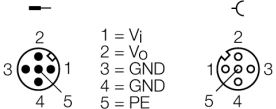


ID	6811636
Nominal current V_i	100 mA
Nominal current V_o	100 mA
Fieldbus transmission rate	100 Mbps
Fieldbus address range	0 × 00 (automatic assignment) 0 × 01...0 × FF (fixed assignment)
Fieldbus addressing	2 hexadecimally coded rotary switches
Fieldbus connection technology	2 × M12
Service interface	4-pole, D-coded Ethernet
Digital outputs	
Output type	NPN
Type of output diagnostics	Channel diagnostics
Sensor supply (V_{SENSE})	24 VDC
Output current per channel	0.5 A
Output voltage	24 VDC from supply voltage
Output delay	3 ms
Load type	resistive, inductive, lamp load
Load resistance, resistive	> 48 Ω
Load resistance, inductive	< 1.2 H
Lamp load	< 3 W
Switching frequency, resistive	< 200 Hz
Switching frequency, inductive	< 2 Hz
Switching frequency, lamp load	< 20 Hz
Short-circuit protection	yes

- On-machine Compact fieldbus I/O block
- EtherCAT™ slave
- Integrated Ethernet Switch
- Two 4-pole M12, D-coded, connectors for fieldbus connection
- Auto and Fixed addressing
- IP67, IP69K
- M12 I/O connectors
- LEDs indicating status and diagnostics
- Electronics galvanically separated from the field level via optocouplers
- 8 digital NPN outputs, 24 VDC
- Max. 0.5A per output

Dimensions	113 x 71 x 32.5 mm
Mounting	2 × 5.4 mm diameter holes, 1.7 Nm torque
Weight	390 ± 20 g
Housing material	Glass-filled nylon, nickel plated brass connectors
Housing color	Black
Material screw	Nickel-plated brass
Material label	Polyester with polycarbonate overlay
Ground label material	Nickel plated brass
Protection class	IP67 IP69K
Ambient temperature	-40...+70 °C
Storage temperature	-40...+85 °C
Relative humidity	15 to 95% (non-condensing)
Vibration test	Acc. to IEC 61131-2
- up to 20 g (at 10 up to 150 Hz)	For mounting on base plate or machinery
Shock test	according to IEC 61131-2
Electromagnetic compatibility	Acc. to IEC 61131-2
MTTF	110 years
MTTF note	acc. to SN 29500 (Ed. 99) 20 °C
Approvals and certificates	CE, cULus

Pinning and wiring diagram

	<p>EtherCAT Fieldbus cable (IP67 example): RSSD RSSD 441-2M ID number U-02482 or RSSD-RSSD-441-2M/S2174 ID number 6914218</p>	<p>Pin assignment (M12, D-coded)</p>  <p>1 = TD + 2 = RD + 3 = TD - 4 = RD -</p>
	<p>Digital Outputs Extension cable (example): RK 4.4T-2-RS 4.4T ident-no. U2445 or RKC4.4T-2-RSC4.4T/TEL ident-no. 6625208</p>	<p>Pin Assignment</p>  <p>1 = V_{SENS} 2 = Output B 3 = GND 4 = Output A 5 = PE</p> <p>Wiring Diagram</p> 
	<p>Auxiliary Power Extension cable (example): RKC 4.4T-2-RSC 4.4T ident-no. U5264 or RKC4.4T-2-RSC4.4T/TEL ident-no. 6625208</p>	<p>Pin Assignment</p>  <p>1 = V_I 2 = V_O 3 = GND 4 = GND 5 = PE</p>

Station LED status

LED	Color	Status	Description
IOs		OFF	No power
	RED	ON	Low power or station error
	RED	FLASHING (1 Hz)	I/O module configuration error
	RED	FLASHING (4 Hz)	No I/O module bus communication
	GREEN	ON	Station ok
	GREEN	FLASHING	Force mode active
LNK/ACT		OFF	Port Closed, No Link, No Activity
	GREEN	ON	Port Open, Link Established, No Activity
	GREEN	FLICKERING	Port Open, Link Established, Activity Present
RUN		OFF	Device is in state INIT
	GREEN	BLINKING	Device is in state PRE-OPERATIONAL
	GREEN	SINGLE FLASH	Device is in state SAFE-OPERATIONAL
	GREEN	ON	Device is in state OPERATIONAL
	GREEN	FLICKERING	Device is in state BOOTSTRAP
ERR	RED	ON	Application controller not responding
	RED	DOUBLE FLASH	Sync Manager Watchdog timeout
	RED	SINGLE FLASH	State changes from Op to SafeOpError (synchronization error)
	RED	BLINKING	State change not possible (invalid register/object settings/hardware config.)
	RED	OFF	No EtherCAT comm errors

I/O LED status

LED	Color	Status	Description
D *		OFF	No diagnostics active
	RED	ON	Station error/ module bus communication failure
	RED	FLASHING (0.5Hz)	Diagnostics active
DO channel		OFF	Status of channel x = „0“ (OFF), no diagnostics active
0...7	GREEN	ON	Status of channel x = „1“ (ON)
	RED	ON	Short circuit / overload on channel x

* D LED also indicates gateway diagnostics

I/O Data Map

OUTPUT	BYTE	Bit 7	Bit 6	Bit 5	Bit 4	Bit 3	Bit 2	Bit 1	Bit 0
	0	DO 1 ₇	DO 1 ₆	DO 1 ₅	DO 1 ₄	DO 1 ₃	DO 1 ₂	DO 1 ₁	DO 1 ₀
	1	-	-	-	-	-	-	-	-