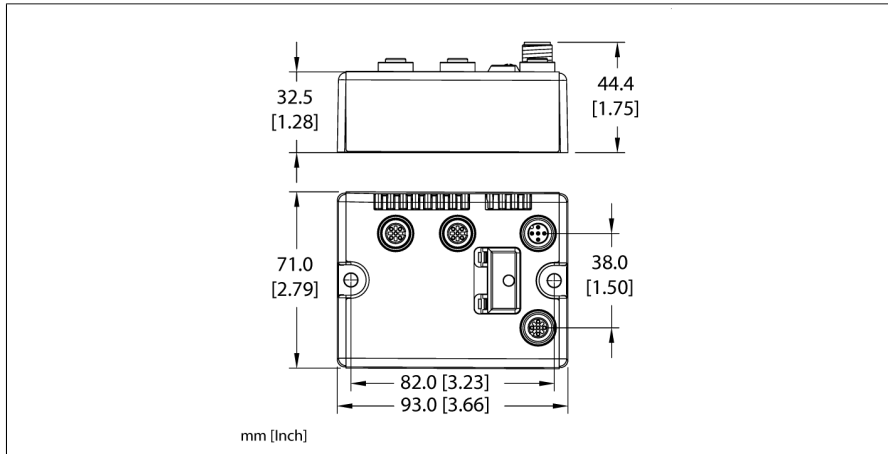


BL compact™ fieldbus station for DeviceNet™

2 Analog Inputs for Thermocouple Elements

BLCDN-2M12S-2AI-TC

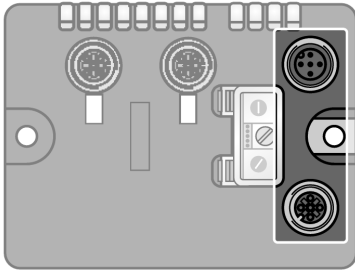


ID	6811040
Nominal system voltage	24 VDC
System power supply	Via DeviceNet
Admissible range V+	11...30 VDC
Nominal current V+	60 mA
Max. current V+	4 A
Fieldbus transmission rate	125/250/500 kbps
Adjustment transmission rate	Automatic detection
Fieldbus address range	0...63 64...80 (MacID programmable) 81...99 (manufacturer specific)
Fieldbus addressing	2 decimally coded rotary switches
Fieldbus connection technology	2 × M12
Fieldbus termination	5-pole external
Service interface	RS232 interface
Vendor ID	48
Product type	12
Product code	11040
Analog inputs	from 2AI-TC
Operating modes	Types B, E, J, K, N, R, S, T
Type of input diagnostics	Channel diagnostics
Sensor supply	24 VDC, 1 amp max.
Voltage resolution	± 50 mV: < 2 μV ± 100 mV: < 4 μV ± 500 mV: < 20 μV ± 1000 mV: < 50 μV
Basic fault limit at 23 °C	< 0.2 %
Repeatability	< 0.05 %
Temperature coefficient	< 300 ppm / °C of full scale
Resolution	16 Bit
Measurement display	16 bit signed integer 12 bit full range left-justified

- On-machine Compact fieldbus I/O block
- DeviceNet™ slave
- 125 / 250 / 500 kbps
- Two 5-pole M12 connectors for fieldbus connection
- 2 rotary switches for node address
- IP67, IP69K
- M12 I/O connectors
- LEDs indicating status and diagnostics
- Electronics galvanically separated from the field level via optocouplers
- 2 analog inputs for Thermo Couples
- Types B, E, J, K, N, R, S or T (selectable per channel)
- Cold-junction compensation via a Pt1000 in special connector

Dimensions	93 x 71 x 32.5 mm
Mounting	2 × 5.4 mm diameter holes, 1.7 Nm torque
Weight	290 ± 20 g
Housing material	Glass-filled nylon, nickel plated brass connectors
Housing color	Black
Material screw	Nickel-plated brass
Material label	Polyester with polycarbonate overlay
Ground label material	Nickel plated brass
Protection class	IP67 IP69K
Ambient temperature	-40...+70 °C
Storage temperature	-40...+85 °C
Relative humidity	15 to 95% (non-condensing)
Vibration test	Acc. to IEC 61131-2
- up to 20 g (at 10 up to 150 Hz)	For mounting on base plate or machinery
Shock test	according to IEC 61131-2
Electromagnetic compatibility	Acc. to IEC 61131-2
Approvals and certificates	CE, cULus

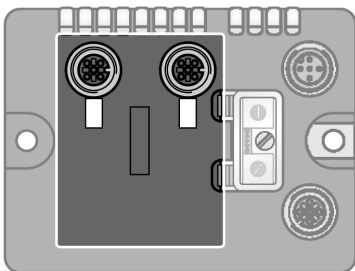
Pinning and wiring diagram



DeviceNet

Fieldbus cable (example): RSC RKC 572-2M ident-no. U0323 or RSC-RKC572-2M ident-no. 6603629

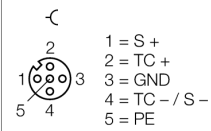
Pin Assignment



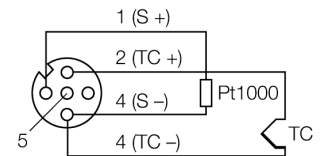
Thermocouple Inputs

TC compensating connector BL67-WAS5-THERMO ident-no. 6827197

Pin Assignment



Wiring Diagram



Station LED status

LED	Color	Status	Description
IOs		OFF	No power
	RED	ON	Low power or station error
	RED	FLASHING (1 Hz)	I/O module configuration error
	RED	FLASHING (4 Hz)	No I/O module bus communication
	GREEN	ON	Station ok
	GREEN	FLASHING	Force mode active
MNS		OFF	No connection
	GREEN	ON	Connection established
	GREEN	FLASHING (1 Hz)	No connection established, device OK
	RED	ON	Duplicate MAC-ID
	RED	FLASHING	Connection time out
IO	GREEN	ON	I/O active
	GREEN	FLASHING (1 Hz)	One or more I/O in Idle State
	RED	ON	One or more I/O error
	RED	FLASHING	One or more I/O in Faulted State

I/O LED status

LED	Color	Status	Description
D *		OFF	No diagnostics active
	RED	ON	Station error/ module bus communication failure
	RED	FLASHING (0.5Hz)	Diagnostics active
AI channel 0 / 1			Not connected

* D LED also indicates gateway diagnostics

I/O & Diagnostic Data Map

INPUT	BYTE	Bit 7	Bit 6	Bit 5	Bit 4	Bit 3	Bit 2	Bit 1	Bit 0
AI 1 ₀	0	AI 1 ₀ LSB							
	1	AI 1 ₀ MSB							
AI 1 ₁	2	AI 1 ₁ LSB							
	3	AI 1 ₁ MSB							
Diagnostics	4	Module number reporting diagnostic data							
	5	Replace Station	-	Diagnostics Active	-	-	-	-	-
Slot 1 (ref. Byte 4)	6	-	-	-	-	-	-	Open Circuit AI 1 ₀	Range Error AI 1 ₀
	7	-	-	-	-	-	-	Open Circuit AI 1 ₁	Range Error AI 1 ₁