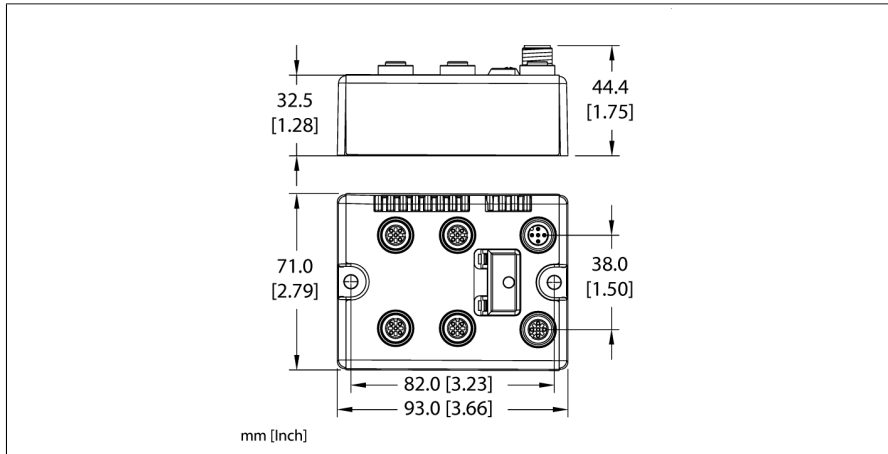


BL compact™ fieldbus station for CANopen

4 Digital PNP Inputs

BLCCO-4M12S-4DI-P



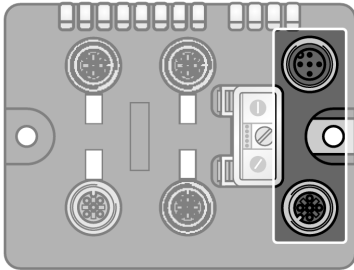
ID	6811312
Nominal system voltage	24 VDC
System power supply	Via CANopen
Admissible range V+	11...30 VDC
Nominal current V+	70 mA
Max. current V+	4 A
Fieldbus transmission rate	10 kbps ...1 Mbps
Adjustment transmission rate	Automatic detection
Fieldbus address range	1...99
Fieldbus addressing	2 decimally coded rotary switches
Fieldbus connection technology	2 × M12
Fieldbus termination	5-pole
Fieldbus termination	external
Service interface	RS232 interface

Digital inputs	
Input type	PNP
Type of input diagnostics	Group diagnostics
Sensor supply (V _{SENS})	24 VDC
Low-level signal voltage	< 4.5 VDC
High level signal voltage	7 ... 30 VDC
Low level signal current	< 1.5 mA
High level signal current	2.1 ... 3.7 mA
Input delay	0.25 ms

- On-machine Compact fieldbus I/O block
- CANopen slave
- 10, 20, 50, 125, 250, 500, 800, or 1000 kbps
- Two 5-pole M12 connectors for fieldbus connection
- 2 rotary switches for node address
- IP67, IP69K
- M12 I/O connectors
- LEDs indicating status and diagnostics
- Electronics galvanically separated from the field level via optocouplers
- 4 digital PNP inputs, 24 VDC

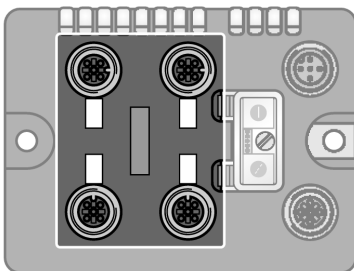
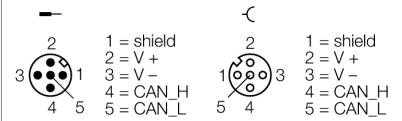
Dimensions	93 x 71 x 32.5 mm
Mounting	2 × 5.4 mm diameter holes, 1.7 Nm torque
Weight	320 ± 20 g
Housing material	Glass-filled nylon, nickel plated brass connectors
Housing color	Black
Material screw	Nickel-plated brass
Material label	Polyester with polycarbonate overlay
Ground label material	Nickel plated brass
Protection class	IP67 IP69K
Ambient temperature	-40...+70 °C
Storage temperature	-40...+85 °C
Relative humidity	15 to 95% (non-condensing)
Vibration test	Acc. to IEC 61131-2
- up to 20 g (at 10 up to 150 Hz)	For mounting on base plate or machinery
Shock test	according to IEC 61131-2
Electromagnetic compatibility	Acc. to IEC 61131-2
Approvals and certificates	CE, cULus

Pinning and wiring diagram



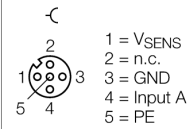
CANopen
 Fieldbus cable (example): RSC RKC 572-2M ident-no. U0323 or
 RSC-RKC572-2M ident-no. 6603629

Pin Assignment

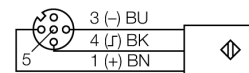


Digital Inputs
 Extension cable (example): RK 4T-2-RS 4T ident-no. U2151-3 or
 RKC4T-2-RSC4T/TEL ident-no. 6625204

Pin Assignment



Wiring Diagram



Station LED status

LED	Color	Status	Description
IOs		OFF	No power
	RED	ON	Low power or station error
	RED	FLASHING (1 Hz)	I/O module configuration error
	RED	FLASHING (4 Hz)	No I/O module bus communication
	GREEN	ON	Station ok
	GREEN	FLASHING	Force mode active
ERR	-	OFF	No communication error
	RED	ON	CAN bus communication error
BUS	GREEN	ON	NMT-slave state is „Operational“
	ORANGE	ON	NMT-slave state is „Pre-Operational“
	RED	ON	NMT-slave state is „Stopped“
ERR & BUS	RED (ERR) & GREEN (BUS)	FLASHING (4 Hz)	Searching for the baud rate

I/O LED status

LED	Color	Status	Description
D *		OFF	No diagnostics active
	RED	ON	Station error/ module bus communication failure
	RED	FLASHING (0.5Hz)	Diagnostics active
DI channels 0...3		OFF	Status of channel x = „0“ (OFF)
	GREEN	ON	Status of channel x = „1“ (ON)

* D LED also indicates gateway diagnostics

I/O Data Map

INPUT	BYTE	Bit 7	Bit 6	Bit 5	Bit 4	Bit 3	Bit 2	Bit 1	Bit 0
	0	-	-	-	-	DI 1 ₃	DI 1 ₂	DI 1 ₁	DI 1 ₀
	1	-	-	-	-	-	-	-	-