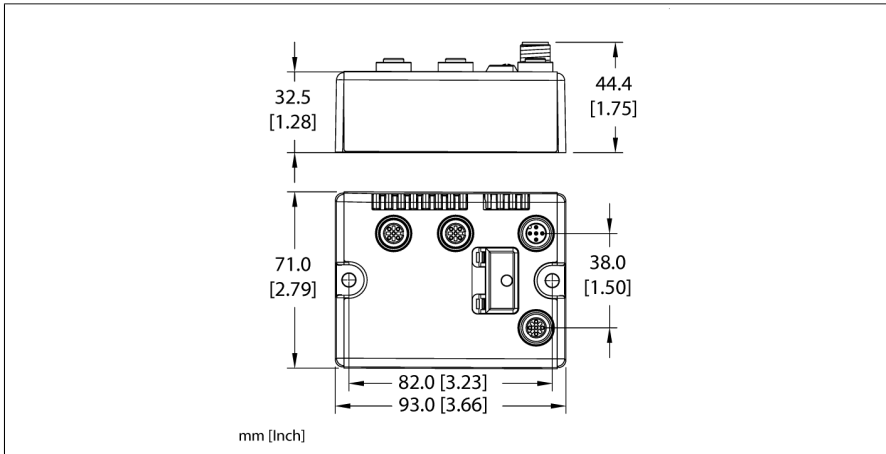


BL compact™ fieldbus station for CANopen

2 Analog Outputs for Voltage

BLCCO-2M12S-2AO-V

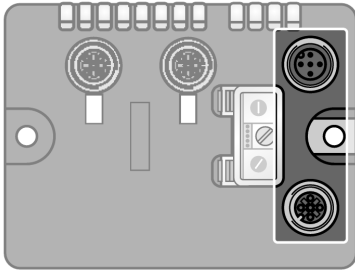


ID	6811321
Nominal system voltage	24 VDC
System power supply	Via CANopen
Admissible range V+	18...30 VDC
Nominal current V+	80 mA
Max. current V+	4 A
Fieldbus transmission rate	10 kbps ...1 Mbps
Adjustment transmission rate	Automatic detection
Fieldbus address range	1...99
Fieldbus addressing	2 decimally coded rotary switches
Fieldbus connection technology	2 × M12
Fieldbus termination	5-pole
Fieldbus termination	external
Service interface	RS232 interface
Analog outputs	from 2AO-V
Operating modes	-10/0 ... 10 V
Type of output diagnostics	Channel diagnostics
Sensor supply	24 VDC, 250 mA per channel
Load resistance, resistive	> 1 kΩ
Load resistance, capacitive	< 1 μF
Transmission frequency	< 100 Hz
Basic fault limit at 23 °C	< 0.2 %
Repeat accuracy	< 0.05 %
Temperature coefficient	< 300 ppm/°C of full scale
Resolution	16 bit
Measured-value display	16 bit signed integer
	12 bit full range left-justified

- On-machine Compact fieldbus I/O block
- CANopen slave
- 10, 20, 50, 125, 250, 500, 800, or 1000 kbps
- Two 5-pole M12 connectors for fieldbus connection
- 2 rotary switches for node address
- IP67, IP69K
- M12 I/O connectors
- LEDs indicating status and diagnostics
- Electronics galvanically separated from the field level via optocouplers
- 2 analog voltage outputs
- -10/0...+10 VDC

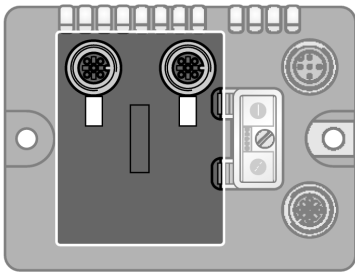
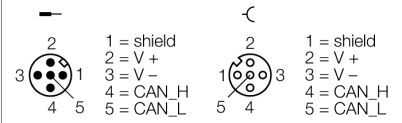
Dimensions	93 x 71 x 32.5 mm
Mounting	2 × 5.4 mm diameter holes, 1.7 Nm torque
Weight	290 ± 20 g
Housing material	Glass-filled nylon, nickel plated brass connectors
Housing color	Black
Material screw	Nickel-plated brass
Material label	Polyester with polycarbonate overlay
Ground label material	Nickel plated brass
Protection class	IP67 IP69K
Ambient temperature	-40...+70 °C
Storage temperature	-40...+85 °C
Relative humidity	15 to 95% (non-condensing)
Vibration test	Acc. to IEC 61131-2
- up to 20 g (at 10 up to 150 Hz)	For mounting on base plate or machinery
Shock test	according to IEC 61131-2
Electromagnetic compatibility	Acc. to IEC 61131-2
Approvals and certificates	CE, cULus

Pinning and wiring diagram



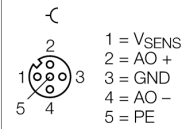
CANopen
 Fieldbus cable (example): RSC RKC 572-2M ident-no. U0323 or
 RSC-RKC572-2M ident-no. 6603629

Pin Assignment



Analog Outputs
 Extension cable (example): RK 4.5T-2-RS 4.5T/S653 ident-no.
 U2187-09 or RKC4.5T-2-RSC4.5T/TEL ident-no. 6625212

Pin Assignment



I/O Data Map

OUTPUT	BYTE	Bit 7	Bit 6	Bit 5	Bit 4	Bit 3	Bit 2	Bit 1	Bit 0
AO 1 ₀	0	AO 1 ₀ LSB							
	1	AO 1 ₀ MSB							
AO 1 ₁	2	AO 1 ₁ LSB							
	3	AO 1 ₁ MSB							