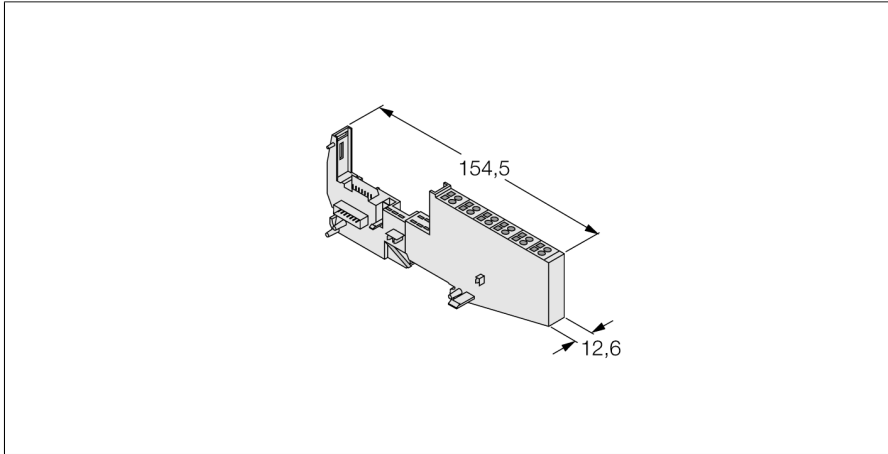


BL20 base module

Tension spring connection

BL20-S6T-SBBSBB



| | |
|------------------------|------------------------------------|
| ID | 6827052 |
| Dimensions (W x L x H) | 12.6 x 154.5 x 49.9 mm |
| Approvals | CE, cULus, zone 2, Class I, Div. 2 |
| Protection class | IP20 |

- Passive connection components for sensors and actuators
- Quick replacement of electronics in wired state
- Mechanical coding prevents plugging of wrong electronic module
- Protection class IP20
- Tension spring connection
- Disc design