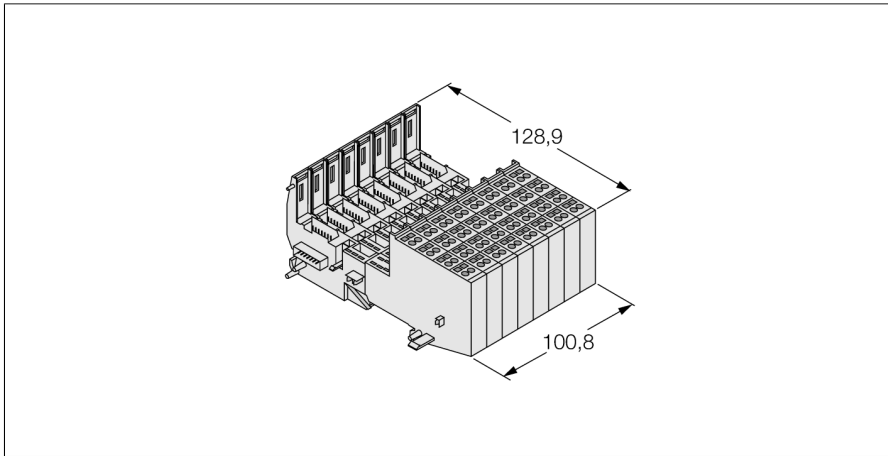


# BL20 base module

## Screw connection

### BL20-B4S-SBBC



- Passive connection components for sensors and actuators
- Quick replacement of electronics in wired state
- Mechanical coding prevents plugging of wrong electronic module
- Protection class IP20
- Screw connection
- Block design
- Access to C rail

ID	6827057
Dimensions (W x L x H)	100.8 x 128.9 x 49.9 mm
Approvals	CE, cULus, zone 2, Class I, Div. 2
Protection class	IP20