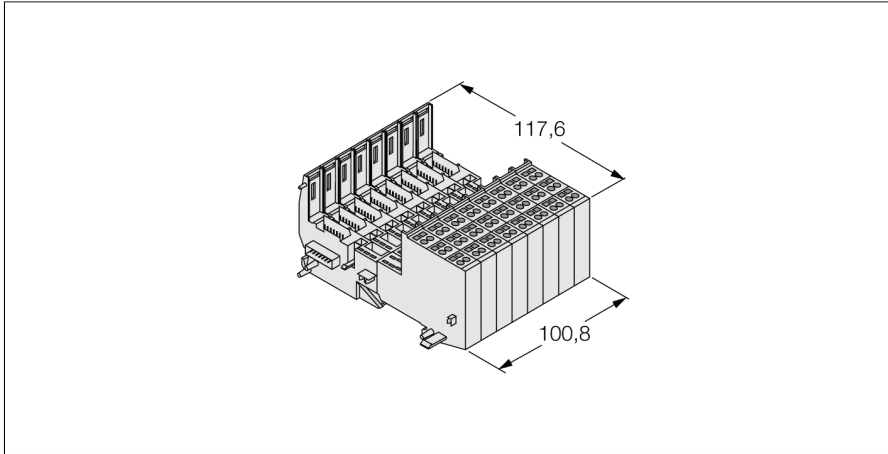


# BL20 base module

## Screw connection

### BL20-B3S-SBC



- Passive connection components for sensors and actuators
- Quick replacement of electronics in wired state
- Mechanical coding prevents plugging of wrong electronic module
- Protection class IP20
- Screw connection
- Block design
- Access to C rail

|                        |                                    |
|------------------------|------------------------------------|
| ID                     | 6827062                            |
| Dimensions (W x L x H) | 100.8 x 117.6 x 49.9 mm            |
| Approvals              | CE, cULus, zone 2, Class I, Div. 2 |
| Protection class       | IP20                               |