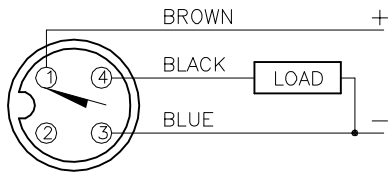


WIRING DIAGRAM

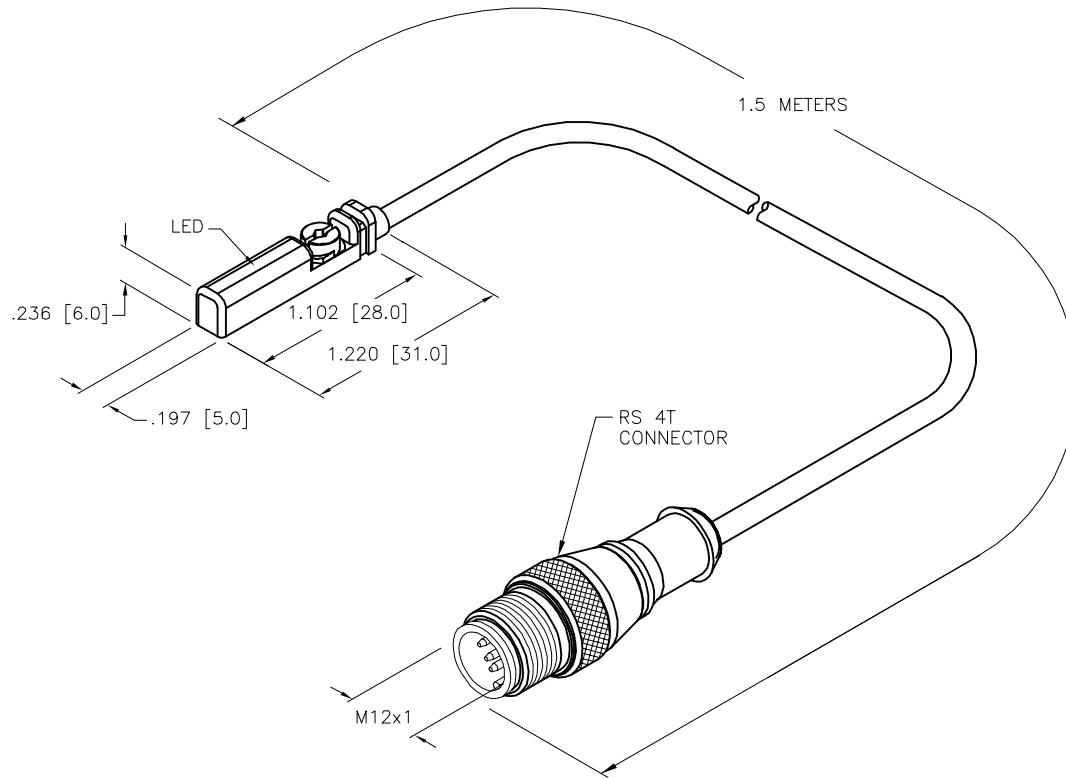


OUTPUT: AP6X


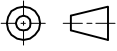
SHORT-CIRCUIT AND OVERLOAD PROTECTED

SPECIFICATIONS

| | |
|-------------------------------|---|
| PASS SPEED | ≤ 10 m/s |
| HYSTERESIS | ≤ 1mm |
| TEMPERATURE DRIFT | ≤ 0.1mm |
| MIN. ABSOLUTE REPEAT ACCURACY | ≥ ±0.1mm |
| OPERATING TEMPERATURE | -25°C to +70°C (-13°F to +158°F) |
| RATED OPERATIONAL VOLTAGE | 10-30 VDC |
| MAX. RIPPLE | ≤ 10% |
| DC RATED OPERATIONAL CURRENT | ≤ 150 mA |
| NO-LOAD CURRENT | ≤ 15 mA |
| RESIDUAL CURRENT | ≤ 0.1 mA |
| MAX. SWITCHING FREQUENCY | ≤ 1.0 kHz |
| RATED INSULATION VOLTAGE | ≤ 0.5 kV |
| OUTPUT FUNCTION | NORMALLY OPEN, 3-WIRE, PNP |
| SHORT-CIRCUIT PROTECTION | YES, CYCLIC |
| MAX. VOLTAGE DROP | ≤ 1.8 V |
| WIRE BREAKAGE PROTECTION | INCORPORATED |
| REVERSE POLARITY PROTECTION | INCORPORATED |
| HOUSING MATERIAL | PLASTIC, PP |
| ACTIVE FACE MATERIAL | PLASTIC, PP |
| CABLE | ∅3.0, TPU |
| VIBRATION | 55 Hz, 1 mm AMPLITUDE (IN ALL 3 PLANES) |
| SHOCK | 30 g, 11 ms |
| DEGREE OF PROTECTION | IP68 |
| SWITCHING STATUS INDICATION | LED, YELLOW |
| INCLUDED IN SCOPE OF SUPPLY | CABLE CLIP |



SOURCE DRAWING - FOR REFERENCE ONLY

| | | | | | | | |
|-------------------|--|---|---------------------|--|--------------------|---|--------------------------------------|
| RELATED DOCUMENTS | | 3RD ANGLE PROJECTION | | THIS DRAWING IS CONFIDENTIAL AND THE PROPERTY OF TURCK INC. USE OF THIS DOCUMENT WITHOUT WRITTEN PERMISSION IS PROHIBITED. | |  3000 CAMPUS DRIVE MINNEAPOLIS, MN 55441 1-800-544-7769 (763) 553-7300 (763) 553-0708 fax www.turck.us | |
| 1. | |  | DRFT | RWC | DATE | 03/24/10 | DESCRIPTION BIM-UNT-AP6X-1.5-RS4T |
| 2. | | | APVD | | SCALE | 1=1.0 | |
| 3. | | ALL DIMENSIONS DISPLAYED ON THIS DRAWING ARE FOR REFERENCE ONLY CONTACT TURCK FOR MORE INFORMATION | UNIT OF MEASUREMENT | | IDENTIFICATION NO. | | REV |
| 4. | | | INCH [MILLIMETER] | | 4685887 | | D |
| MATERIAL | | DO NOT SCALE THIS DRAWING | | FILE: 4685887 | | SHEET 1 OF 1 | |
| FINISH | | | | | | | |

| | | | | |
|-----|---------------------------------------|-----|----------|---------|
| D | UPDATE SENSOR BODY & PROTECTION CLASS | RDS | 02/17/21 | 76510 |
| REV | DESCRIPTION | BY | DATE | ECO NO. |