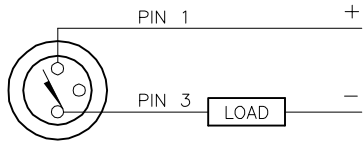
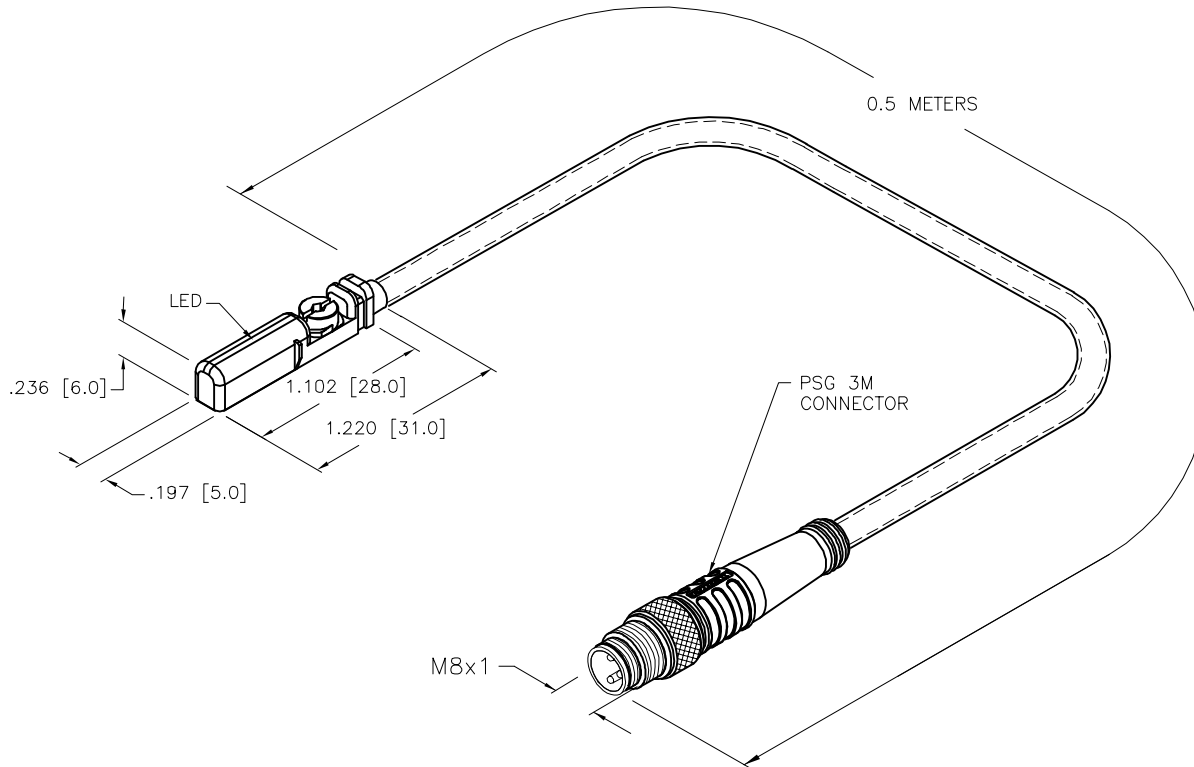


## WIRING DIAGRAM



OUTPUT: AG41X

SHORT-CIRCUIT AND OVERLOAD PROTECTED



### NOTES:

1. "/S1139" DESIGNATES CYLINDER POSITION SENSOR WITH A WIDER TRAVEL, A.K.A. MORE RANGE.
2. "/S1160" DESIGNATES POTTED TPU CABLE FOR USE IN WELDING APPLICATIONS.
3. "/S1768" DESIGNATES 1/8" VITON SLEEVING ADDED TO CABLE. VITON IS PUSHED UP OVER THE BACK OF SENSOR BODY, AND COVERS ENTIRE CABLE LENGTH MOLDED INTO BACKSIDE OF CONNECTOR.

## SPECIFICATIONS

PASS SPEED	≤ 10 m/s
HYSTERESIS	≤ 1mm
TEMPERATURE DRIFT	≤ 0.1mm
MIN. ABSOLUTE REPEAT ACCURACY	≥ ±0.1mm
OPERATING TEMPERATURE	-25°C to +70°C (-13°F to +158°F)
RATED OPERATIONAL VOLTAGE	10-55 VDC
RESIDUAL RIPPLE	≤ 10%
DC RATED OPERATIONAL CURRENT	≤ 100 mA
RESIDUAL CURRENT	≤ 0.8 mA
MAX. SWITCHING FREQUENCY	≤ 1.0 kHz
RATED INSULATION VOLTAGE	≤ 0.5 kV
SHORT-CIRCUIT PROTECTION	YES, CYCLIC
MAX. VOLTAGE DROP	≤ 3.5 V
WIRE BREAKAGE PROTECTION	NOT INCORPORATED
REVERSE POLARITY PROTECTION	POLARIZED
OUTPUT FUNCTION	2-WIRE, DC
HOUSING MATERIAL	PLASTIC, PP
ACTIVE FACE MATERIAL	PLASTIC, PP
CABLE	∅3.0mm, Lif9Y-11YFHF, TPU
VIBRATION	55 Hz, 1 mm AMPLITUDE (IN ALL 3 PLANES)
SHOCK	30 g, 11 ms
DEGREE OF PROTECTION	IP68
SWITCHING STATUS INDICATION	LED, YELLOW
INCLUDED IN SCOPE OF SUPPLY	CABLE CLIP

### SOURCE DRAWING - FOR REFERENCE ONLY

RELATED DOCUMENTS 1. 2. 3. 4.	3RD ANGLE PROJECTION 	THIS DRAWING IS CONFIDENTIAL AND THE PROPERTY OF TURCK INC. USE OF THIS DOCUMENT WITHOUT WRITTEN PERMISSION IS PROHIBITED.		3000 CAMPUS DRIVE MINNEAPOLIS, MN 55441 1-800-544-7769 (763) 553-7300 (763) 553-0708 fax www.turck.us	
	MATERIAL	DRFT RDS	DATE 06/15/10	DESCRIPTION BIM-UNT-AG41X-0.5-PSG3M/S3395/S1768	
FINISH	ALL DIMENSIONS DISPLAYED ON THIS DRAWING ARE FOR REFERENCE ONLY	APVD	SCALE 1=1.0	IDENTIFICATION NO. 2690038	
CONTACT TURCK FOR MORE INFORMATION		UNIT OF MEASUREMENT <b>INCH [ MILLIMETER ]</b>		REV E	
DO NOT SCALE THIS DRAWING		FILE: 2690038		SHEET 1 OF 1	

E	UPDATE SPECS	RDS	02/09/21	76485
REV	DESCRIPTION	BY	DATE	ECO NO.