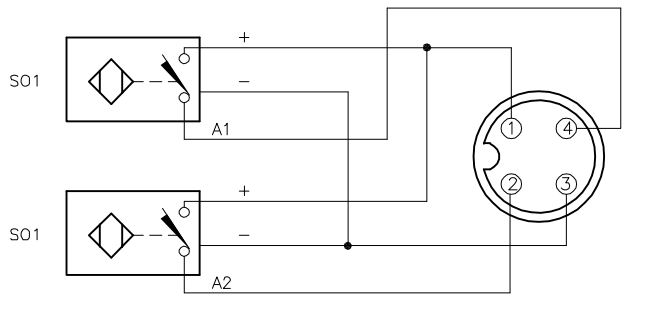
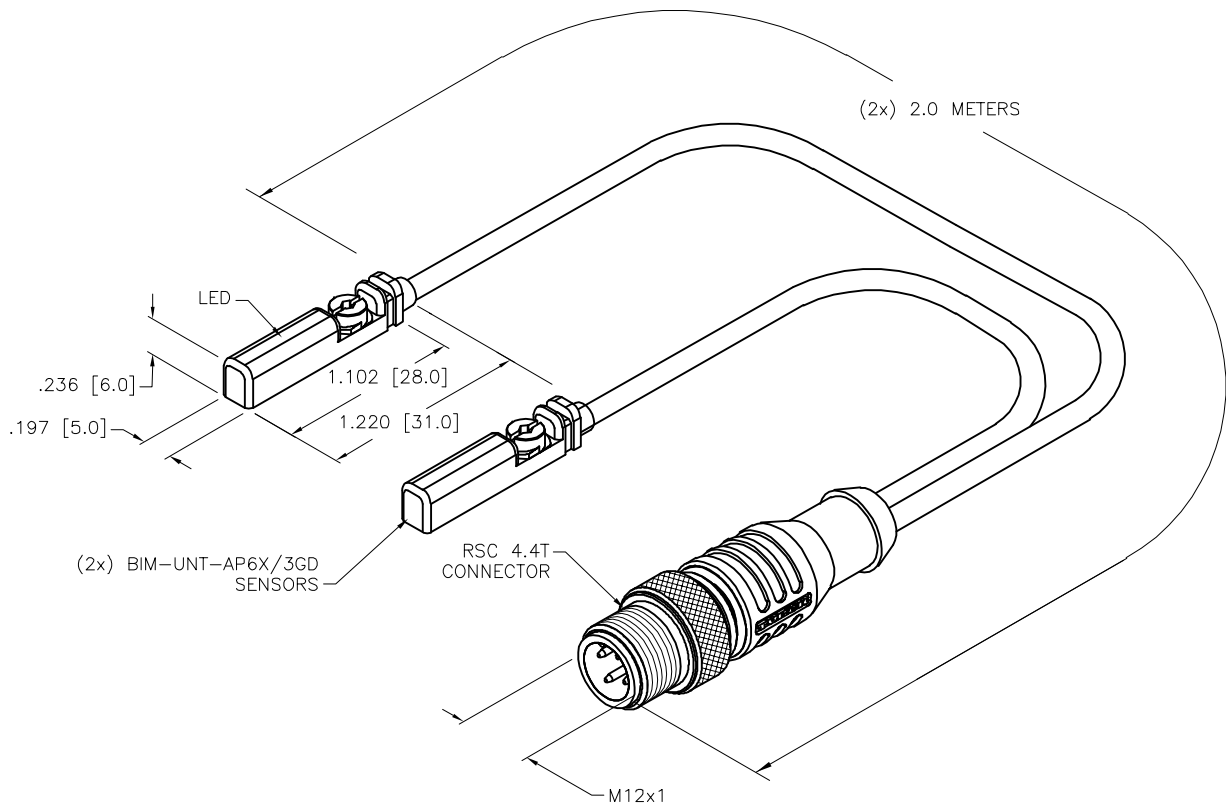


WIRING DIAGRAM



SPECIFICATIONS PER SENSOR

PASS SPEED	≤ 10 m/s
HYSTERESIS	≤ 1mm
TEMPERATURE DRIFT	≤ 0.1mm
REPEATABILITY	≥ ±0.1mm
OPERATING TEMPERATURE	-25°C to +70°C (-13°F to +158°F)
RATED OPERATIONAL VOLTAGE	10-30 VDC
RESIDUAL RIPPLE	≤10%
DC RATED OPERATIONAL CURRENT	≤ 150 mA PER SENSOR
NO-LOAD CURRENT	≤ 30 mA
RESIDUAL CURRENT	≤ 0.1 mA PER SENSOR
SWITCHING FREQUENCY	≤ 1.0 kHz
RATED INSULATION VOLTAGE	≤ 0.5 kV
OUTPUT FUNCTION	NORMALLY OPEN, 3-WIRE, PNP
SHORT-CIRCUIT PROTECTION	YES, CYCLIC
MAX. VOLTAGE DROP	≤ 1.8 V
WIRE BREAKAGE PROTECTION	INCORPORATED
REVERSE POLARITY PROTECTION	INCORPORATED
APPROVAL	ATEX DECLARATION OF CONFORMITY: 3116-3M
DEVICE DESIGNATION	⊕ II 3 G EEx nA II T4 X / II3 D IP67 T 95 °C
HOUSING MATERIAL	PLASTIC, PP
ACTIVE FACE MATERIAL	PLASTIC, PP
CABLE	∅3.0, TPU (GRAY)
VIBRATION	55 Hz, 1 mm AMPLITUDE (IN ALL 3 PLANES)
SHOCK	30 g, 11 ms
DEGREE OF PROTECTION	IP68
SWITCHING STATUS INDICATION	LED, YELLOW
INCLUDED IN SCOPE OF SUPPLY	CABLE CLIP



SOURCE DRAWING - FOR REFERENCE ONLY

RELATED DOCUMENTS 1. 2. 3. 4.	3RD ANGLE PROJECTION 	THIS DRAWING IS CONFIDENTIAL AND THE PROPERTY OF TURCK INC. USE OF THIS DOCUMENT WITHOUT WRITTEN PERMISSION IS PROHIBITED.		3000 CAMPUS DRIVE MINNEAPOLIS, MN 55441 1-800-544-7769 (763) 553-7300 (763) 553-0708 fax www.turck.us	
		MATERIAL SEE SPECIFICATIONS	DRFT RDS APVD	DATE 04/07/11 SCALE 1=1.0	DESCRIPTION BIM-UNT-2AP6X/3GD-2-RSC4.4T
FINISH SEE SPECIFICATIONS	ALL DIMENSIONS DISPLAYED ON THIS DRAWING ARE FOR REFERENCE ONLY CONTACT TURCK FOR MORE INFORMATION	UNIT OF MEASUREMENT INCH [MILLIMETER]		IDENTIFICATION NO. 46857205	REV E
E REMOVED LED SQUARE AND UPDATED IP RATING REV DESCRIPTION	ER 02/18/21 BY DATE	76511 ECO NO.	DO NOT SCALE THIS DRAWING		FILE: 46857205 SHEET 1 OF 1

E	REMOVED LED SQUARE AND UPDATED IP RATING	ER	02/18/21	76511
REV	DESCRIPTION	BY	DATE	ECO NO.