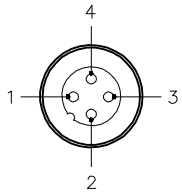


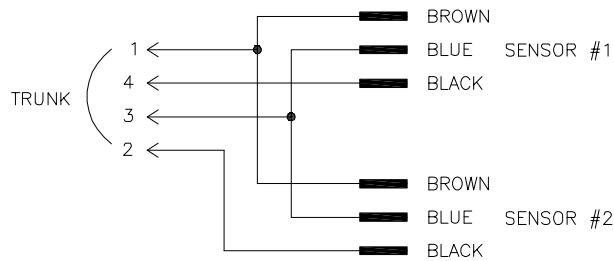
MALE END VIEW



- 1 = (+) VOLTAGE
- 2 = SENSOR 2 (OUTPUT)
- 3 = (-) VOLTAGE
- 4 = SENSOR 1 (OUTPUT)

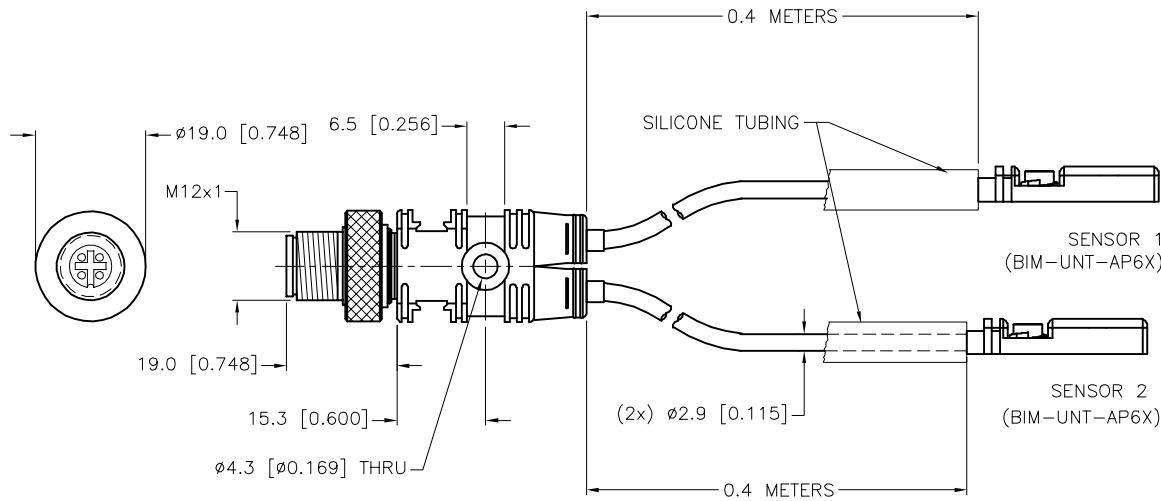


WIRING DIAGRAM



SPECIFICATIONS

CONTACT CARRIER MATERIAL (EURO)	NYLON OR TPU
MOLDED HEAD MATERIAL/COLOR (VBRS)	TPU/YELLOW
CONTACT MATERIAL/PLATING (EURO)	BRASS/GOLD
COUPLING NUT MATERIAL/PLATING (EURO)	BRASS/NICKEL
SENSOR SPECIFICATIONS	
OPERATING VOLTAGE	10-30 VDC
RIPPLE	≤ 10%
DIFFERENTIAL TRAVEL (HYSTERESIS)	≤ 1 mm
VOLTAGE DROP ACROSS CONDUCTING SENSOR	≤ 2.0 V at 200 mA
OUTPUT FUNCTION	NORMALLY OPEN 3-WIRE DC SELF-CONTAINED
TTL COMPATIBLE	NO
SHORT-CIRCUIT PROTECTED	YES
DC RATED OPERATION CURRENT	≤ 150 mA PER SENSOR
NO-LOAD CURRENT	< 30 mA
RESIDUAL CURRENT	≤ 0.1 mA PER SENSOR
TIME DELAY BEFORE AVAILABILITY	≤ 3 ms
POWER-ON EFFECT PROTECTION	INCORPORATED
REVERSE POLARITY PROTECTION	INCORPORATED
WIRE-BREAK PROTECTION	INCORPORATED
PROTECTION AGAINST TRANSIENTS	EN 60947-5-2
OPERATING TEMPERATURE	-25°C to +70°C (-13°F to +158°F)
ENCLOSURE	MEETS NEMA 1, 3, 4, 6, 13 AND IEC IP67, IP68
SHOCK	30 g, 11 ms
VIBRATION	55 Hz, 1 mm AMPLITUDE (IN ALL 3 PLANES)
LED FUNCTION	YELLOW: OUTPUT ENERGIZED
SWITCHING FREQUENCY	1000 Hz
REPEATABILITY	≤ 0.1 mm (CONSTANT TEMPERATURE AND VOLTAGE)
TEMPERATURE DRIFT	≤ 0.1 mm
PERMISSIBLE SPEED	≤ 10 m/second



NOTES:

1. "/CS11680" DESIGNATES VBRS SPLITTER WITH (2)BIM-UNT SENSORS MOLDED ON. SENSORS HAVE CABLE LENGTHS OF 0.4M WITH A TOLERANCE OF +50MM/-0MM. 1/4"

SILICONE TUBING ADDED OVER EACH CABLE, NO HEAT SHRINK. 200MM TUBING ON 0.4M. (SILICONE WILL NOT HAVE HEAT SHRINK, BUT WILL MOVE FREELY ON THE CABLES.)

PIN 1 (+) PIN 2 (LOAD BRANCH #2)
PIN 3 (-) PIN 4 (LOAD BRANCH #1).

VBRS HOUSING SHOULD HAVE S857 DESIGNATION TO INCLUDE MOUNTING HOLES

2. "/SV" DESIGNATES VENDING MACHINE PACKAGING.

CABLE LENGTH	TOLERANCE*
ALL LENGTHS	+ 4% (OR 50mm) OF LENGTH - 0% (OR 0mm) OF LENGTH WHICHEVER IS GREATER
STRIP LENGTH	TOLERANCE*
0-7mm	±0.5mm
8-29mm	±1.0mm
30-49mm	±2.0mm
50-69mm	±3.0mm
70-100mm	±4.0mm
OVER 100mm	±5.0mm

*UNLESS OTHERWISE SPECIFIED

SOURCE DRAWING - FOR REFERENCE ONLY

RELATED DOCUMENTS 1. 2. 3. 4.	3RD ANGLE PROJECTION 	THIS DRAWING IS CONFIDENTIAL AND THE PROPERTY OF TURCK INC. USE OF THIS DOCUMENT WITHOUT WRITTEN PERMISSION IS PROHIBITED.		3000 CAMPUS DRIVE MINNEAPOLIS, MN 55441 1-800-544-7769 (763) 553-7300 (763) 553-0708 fax www.turck.us					
		DRFT	RDS	DATE	10/18/07	DESCRIPTION	BIM-UNT-2AP6X2-VBRS/CS11680/SV		
MATERIAL	SEE SPECIFICATIONS	APVD		SCALE	1=1.0	IDENTIFICATION NO.	2690032	REV	J
FINISH	SEE SPECIFICATIONS	UNIT OF MEASUREMENT MILLIMETER [INCH]		DO NOT SCALE THIS DRAWING		FILE: 2690032	SHEET 1 OF 1		

J	REMOVED LED SQUARE AND UPDATED IP RATING	ER	02/16/21	76501
REV	DESCRIPTION	BY	DATE	ECO NO.